

Quick Start Guide

GV-IP Camera



- GV-EBD Series
- GV-ABL / TBL Series
- GV-ADR / TDR Series
- GV-AVD / TVD Series
- GV-TFD Series

Before attempting to connect or operate this product, please read these instructions carefully and save this manual for future use.

UBN-QG-S



© 2021 GeoVision, Inc. All rights reserved.

Under the copyright laws, this manual may not be copied, in whole or in part, without the written consent of GeoVision.

Every effort has been made to ensure that the information in this manual is accurate. GeoVision, Inc. makes no expressed or implied warranty of any kind and assumes no responsibility for errors or omissions. No liability is assumed for incidental or consequential damages arising from the use of the information or products contained herein. Features and specifications are subject to change without notice.

GeoVision, Inc.
9F, No. 246, Sec. 1, Neihu Rd.,
Neihu District, Taipei, Taiwan
Tel: +886-2-8797-8377
Fax: +886-2-8797-8335
<http://www.geovision.com.tw>

Trademarks used in this manual: *GeoVision*, the *GeoVision* logo and GV series products are trademarks of GeoVision, Inc. *Windows* is the registered trademarks of Microsoft Corporation.

July 2021

Contents

Note for Connecting to GV-VMS / DVR / NVR.....	iii
Note for Installing Camera Outdoor.....	iii
Note for Powering the Camera.....	iii
Note for Face Detection.....	iv
Note for People Counting.....	v
1. GV-EBD Series.....	1
1.1 Packing List	2
1.2 Overview.....	3
1.2.1 GV-EBD2702 / 2704 / 4700 / 4701 / 8700 / 8800	3
1.2.2 GV-EBD4711 / 4712 / 8711 / 8813.....	4
1.3 Installation	5
1.3.1 GV-EBD2702 / 2704 / 4700 / 4701 / 8700 / 8800 Installation	5
1.3.2 GV-EBD4711 / 4712 / 8711 / 8813 Installation.....	8
2. GV-ABL / TBL Series	11
2.1 Packing List	12
2.2 Overview.....	13
2.2.1 GV-ABL2701 / 2703 / 4701 / 4703 & TBL2703 / 4703 / 8804.....	13
2.2.2 GV-ABL2702 / 4711 / 4712 / 8712 & TBL4700 / 4710 / 4711 / 8710 / 8810	15
2.3 Installation	16
3. GV-ADR / TDR Series	19
3.1 Packing List	20
3.2 Overview.....	21
3.3 Installation	22
4. GV-AVD / TVD Series	25
4.1 Packing List	26
4.1.1 GV-TVD4711	26
4.1.2 GV-AVD / TVD Series	27
4.2 Overview.....	28
4.2.1 GV-AVD2700 / 4710 / 8710, GV-TVD4700 / 4710 / 8710 / 8810.....	28
4.2.2 GV-TVD4711	29
4.3 Installation	30
4.3.1 GV-AVD2700 / 4710 / 8710, GV-TVD4700 / 4710 / 8710 / 8810.....	30
4.3.2 GV-TVD4711	32
5. GV-TFD Series	34
5.1 Packing List	34
5.1.1 GV-TFD4700	34

5.2 Overview.....	35
5.2.1 GV-TFD4700	35
5.3 Installation	36
5.3.1 GV-TFD4700	36
6. Waterproofing the Cable.....	37
7. Accessing the Camera.....	39
7.1 System Requirements.....	39
7.2 Looking Up the Dynamic IP Address.....	40
7.3 Configuring the IP Address	41
8. The Web Interface	42
9. Upgrading System Firmware.....	44
10. Restoring to Factory Default	45

Note for Connecting to GV-VMS / DVR / NVR

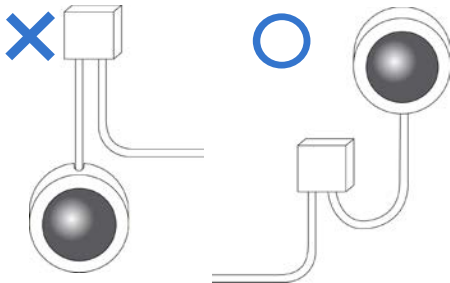
The GV-IPCAM is designed to work with and record on GV-VMS / DVR / NVR, a video management system.

- Once the camera is connected to the GV-VMS / DVR / NVR, the resolution set on the GV-VMS / DVR / NVR will override the resolution set on the camera's Web interface. You can only change the resolution settings through the Web interface when the connection to the GV-VMS / DVR / NVR is interrupted.
- The login password of the camera cannot contain the character "&" or any whitespace when connecting to GV-VMS.
- The Video Analytic features under Intelligent (See 3.5 *Intelligent* in the *User's Manual*) cannot be integrated with GV-VMS / DVR / NVR

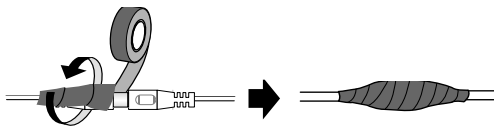
Note for Installing Camera Outdoor

When installing the camera outdoor, be sure that:

1. The camera is set up above the junction box to prevent water from entering the camera along the cables.



2. Any PoE, power, audio and I/O cables are waterproofed using waterproof silicon rubber or the like.



3. The screws are tightened and the cover is in place after opening the camera cover.

Note for Powering the Camera



The camera is powered by PoE. If you want to power the camera using the power connector, an optional power adapter is required.

Note for Face Detection

To use the camera's built-in face detection feature (see 3.5.1.7 *Face Detection* in the *User's Manual*), **not supported** by GV-ABL2701 series / 2703 series / 4701 series / 4703 / 4711, GV-ADR2701 / 2702 / 4701 / 4702, GV-EBD2704 / 4701 / 4712 / 8800 / 8813, GV-TBL series, GV-TDR2702 series / 2704 series / 4702 series / 4703 series, GV-TFD4700, and GV-TVD series, it is recommended to install the camera according to the criteria listed below

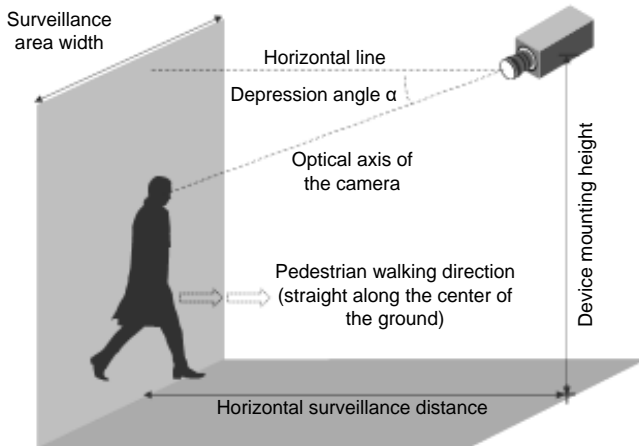
Surveillance Condition

- The camera shall be installed at a site with uniform, sufficient lighting, where the face(s) to be detected are fully illuminated.

Example of Recommended Scene	Example of Non-recommended Scene
	

Camera Position

- The camera shall be mounted at a recommended height of 2.5 ~ 3 m (8.2 ~ 9.84 ft).
- The camera shall be mounted with a recommended depression angle of around 10°.
- The camera shall be positioned so that the face(s) to be detected are directly aligned with the lens of the camera, with a horizontal deviation of no greater than 30°, a vertical deviation of no greater than 15° and a face size of at least 120 pixels.





Note for People Counting

To use the camera's built-in people counting feature (see 3.5.1.8 *People Counting* in the *User's Manual*), **not supported** by GV-ABL2701 series / 2703 series / 4701 series / 4703 / 4711, GV-ADR2701 / 2702 / 4701 / 4702, GV-EBD2704 / 4701 / 4712 / 8800 / 8813, GV-TBL series, GV-TDR2702 series / 2704 series / 4702 series / 4703 series, GV-TFD4700, and GV-TVD series, it is recommended to install the camera according to the criteria listed below:

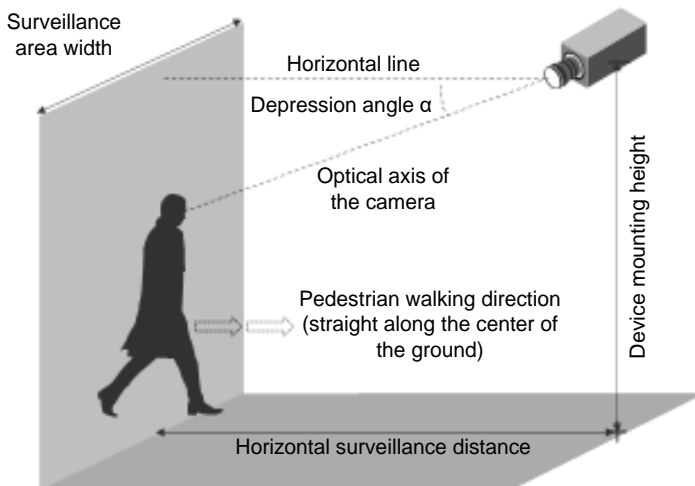
Surveillance Condition

- The camera shall be installed at a site with uniform, sufficient lighting, where the person(s) to be counted are fully illuminated.
- The camera shall be installed at an entrance or exit with an ideal width of 1 ~ 4 m (3.28 ~ 13.12 ft), where the persons(s) to be counted move toward the lens of the camera in single file.

Example of Recommended Scene	Example of Non-recommended Scene
	

Camera Position

- The camera shall be mounted at a recommended height of 3 ~ 5 m (9.84 ~ 16.4 ft).
- The camera shall be mounted with a recommended depression angle of 70 ~ 80°.
- The camera shall be positioned so that the person(s) to be counted face toward the lens of the camera and are displayed on the image with a shoulder size of between 120 ~ 160 pixels.



1. GV-EBD Series

Camera Type	Model No.
Eyeball IP Dome	GV-EBD2702 (IP67)
	GV-EBD2704 (IP67)
	GV-EBD4700 (IP67)
	GV-EBD4701 (IP67)
	GV-EBD4711 (IP67)
	GV-EBD4712 (IP67)
	GV-EBD8700 (IP67)
	GV-EBD8711 (IP67)
	GV-EBD8800 (IP67)
	GV-EBD8813 (IP67)

1.1 Packing List

- H.265 Target Eyeball Dome
- Screw Kit



- Drill Template Paster



- Waterproof Rubber Set



- Warranty Card
- Download Guide

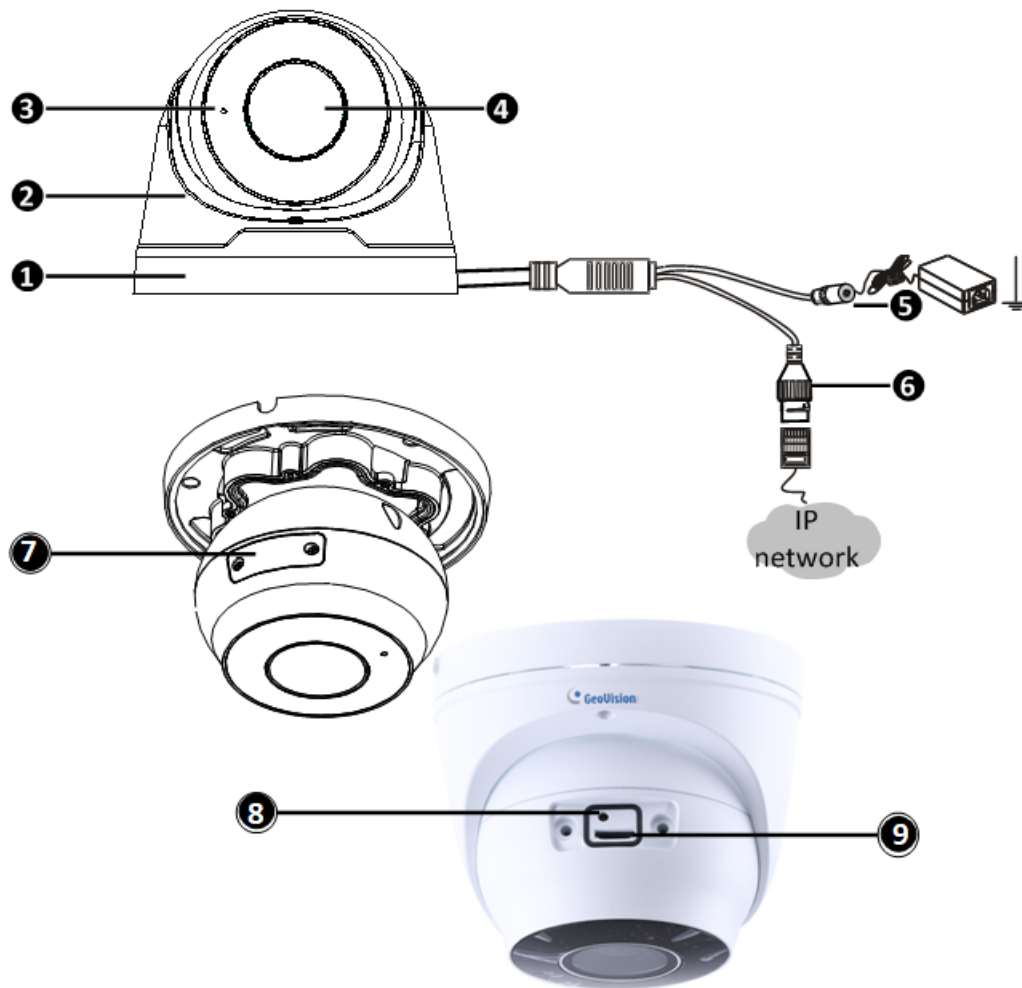
1.2 Overview

1.2.1 GV-EBD2702 / 2704 / 4700 / 4701 / 8700 / 8800



No.	Description
1	Bottom ring
2	Housing
3	Lens
4	Infrared indicator
5	Power connector (DC 12 V)
6	Ethernet connector / PoE
7	Micro SD card slot (GV-EBD2704 / 4701 / 8800 only)
8	Microphone (GV-EBD2704 / 4701 / 8800 only)

1.2.2 GV-EBD4711 / 4712 / 8711 / 8813



No.	Description
1	Bottom ring
2	Housing
3	Microphone
4	Lens
5	Power connector (DC 12 V)
6	Ethernet connector / PoE
7	Micro SD card slot and default button compartment
8	Default button
9	Micro SD card slot

Note: If the default button doesn't respond after pressing for 15 seconds, reboot the camera and try again within 10 minutes of rebooting.

1.3 Installation

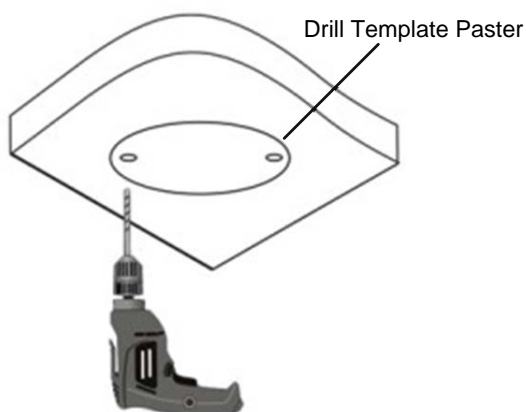
The Target Eyeball Dome is designed for outdoors. With the standard package, you can install the camera on the ceiling. Or you can purchase optional mounting accessories to mount the dome on a wall.

Below are the instructions for **Ceiling Mount**. There are two kinds of Ceiling Mount: **Concealed Installation** and **Open Installation**. In Concealed Installation, the cables are hidden in the ceiling. In Open Installation, the cables are led out from the open slot on the bottom ring.

1.3.1 GV-EBD2702 / 2704 / 4700 / 4701 / 8700 / 8800 Installation

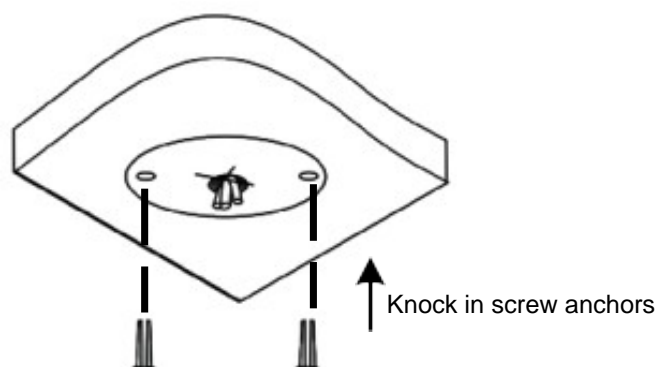
For Concealed Installation

1. Stick the drill template paster to the ceiling and drill three holes according to the drill template.

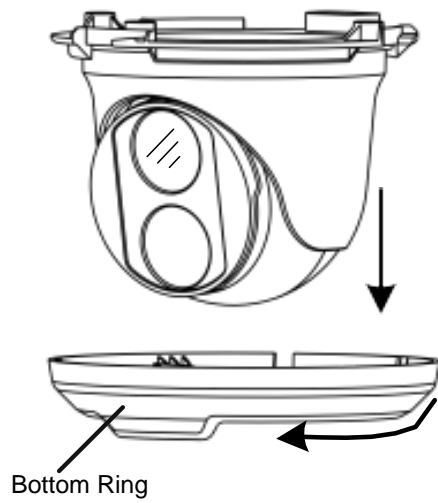


2. Insert the screw anchors.

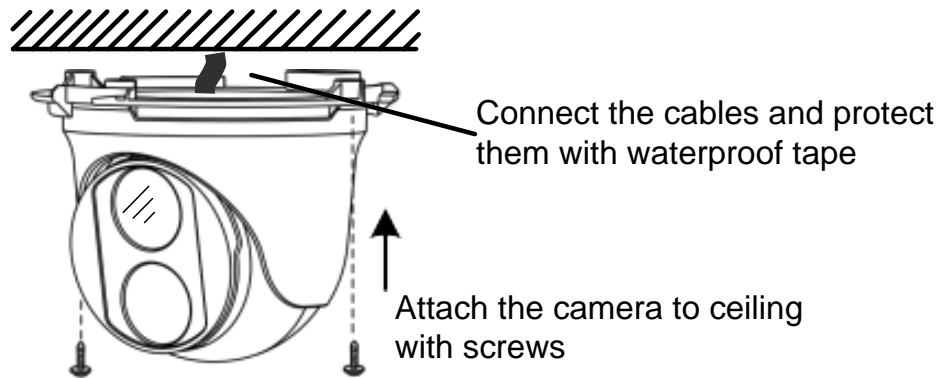
Drill a hole to lead cables out of the ceiling



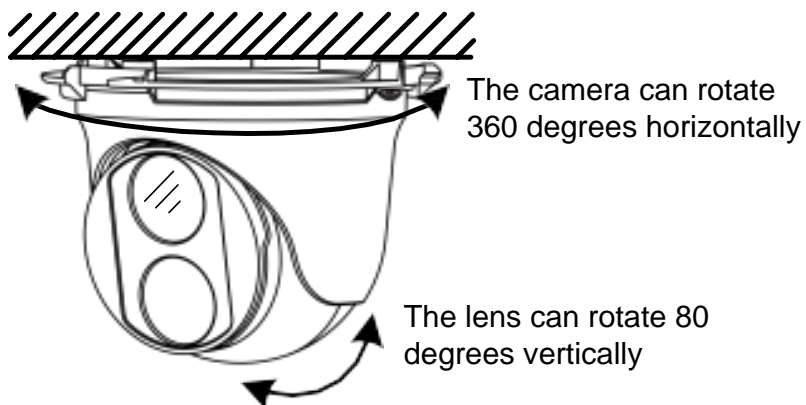
3. Remove the bottom ring by turning it anticlockwise.



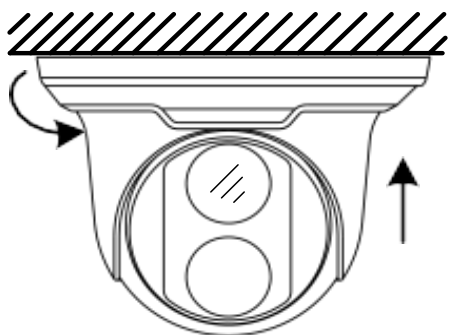
4. Connect the cables and secure the camera.



5. Adjust the monitoring direction.



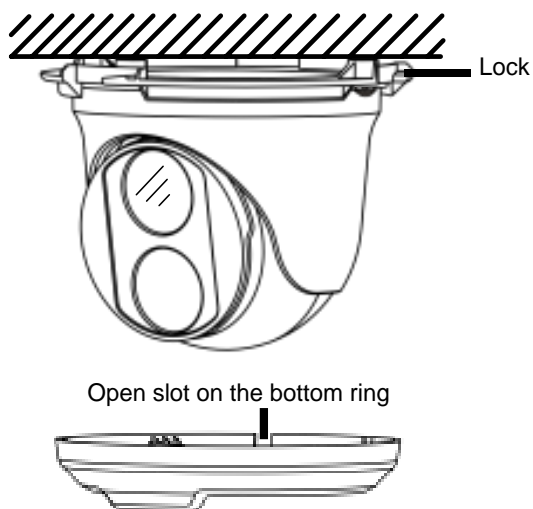
6. Mount the bottom ring.



Push the bottom ring back up and turn it clockwise to lock into position

For Open Installation

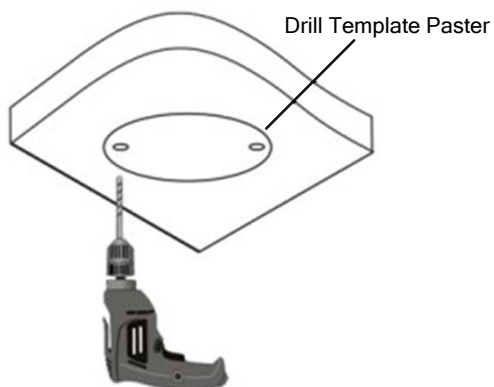
Lead the cables out from the open slot on the bottom ring before screwing the camera to the ceiling as shown in step 4 of Conceal Installation.



1.3.2 GV-EBD4711 / 4712 / 8711 / 8813 Installation

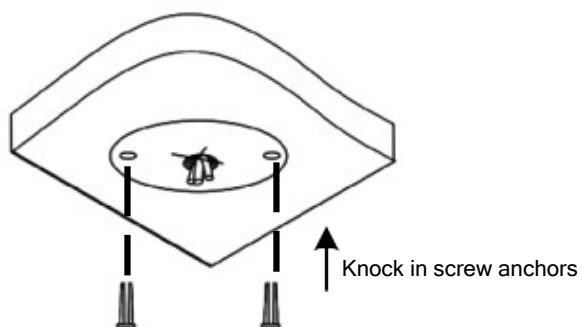
For Concealed Installation

1. Stick the drill template paster to the ceiling and drill three holes according to the drill template.

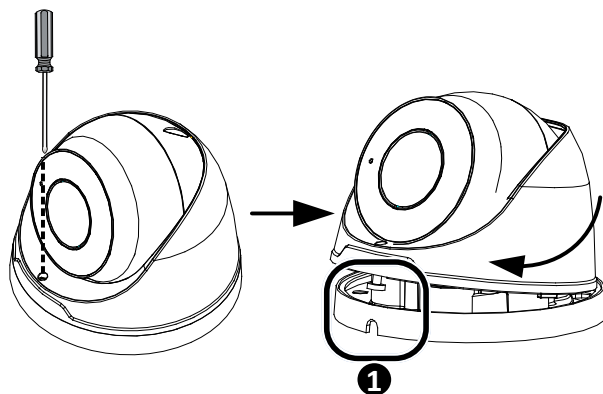


2. Insert the screw anchors.

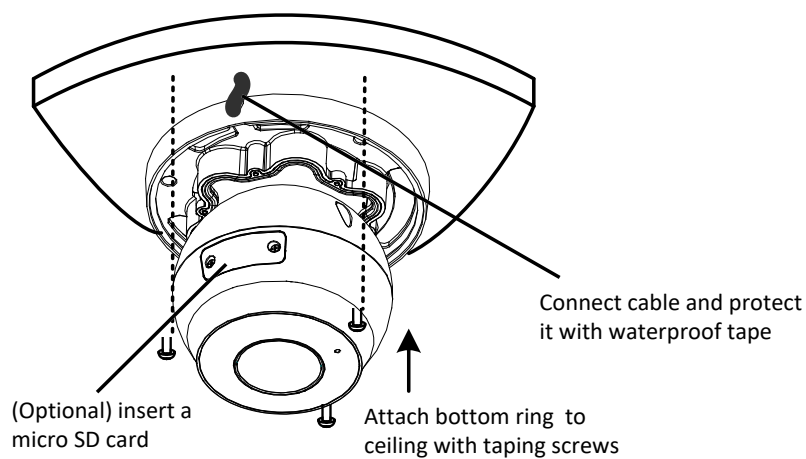
Drill a hole to lead the cables out of the ceiling



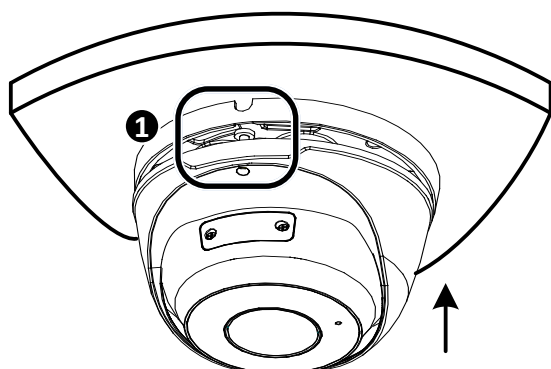
3. Loosen the fixing screw and remove the housing by turning it to the position as shown.



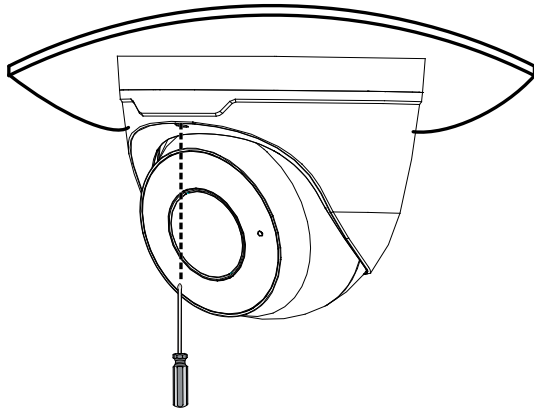
4. Secure the bottom ring to the ceiling with 3 supplied screws and connect the cable.



5. Mount the housing by adjusting to the position as shown and press and turn to anywhere but **1**.

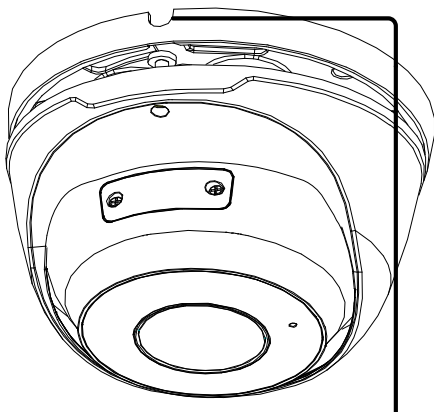


6. Adjust the monitoring direction. Then tighten the screw.



For Open Installation

Lead the cables out from the open slot on the bottom ring before screwing the camera to the ceiling as shown in step 5 of Concealed Installation.



Open slot on the bottom ring

Note: You can optionally purchase [GV-Mount211](#) or [GV-Mount212](#) for Wall Bracket Mount. For details, see its *User's Manual*.

2. GV-ABL / TBL Series

Camera Type	Model No.
Bullet IP Camera	GV-ABL2701 Series (IP66)
	GV-ABL2702 (IP67 + IK10)
	GV-ABL2703 Series (IP67)
	GV-ABL4701 Series (IP66)
	GV-ABL4703 (IP67)
	GV-ABL4711 (IP67 + IK10)
	GV-ABL4712 (IP67)
	GV-ABL8712 (IP67 + IK10)
	GV-TBL2703 Series (IP67)
	GV-TBL4700 (IP67 + IK10)
	GV-TBL4703 (IP67)
	GV-TBL4710 (IP67 + IK10)
	GV-TBL4711 (IP67 + IK10)
	GV-TBL8710 (IP67 + IK10)
	GV-TBL8804 (IP67 + IK10)
	GV-TBL8810 (IP67 + IK10)

2.1 Packing List

- Bullet IP Camera

- Waterproof Rubber Set



- Screw Kit



- Drill Template Paster

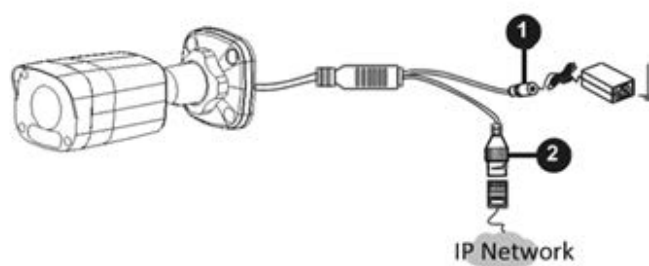


- Warranty Card
- Download Guide

2.2 Overview

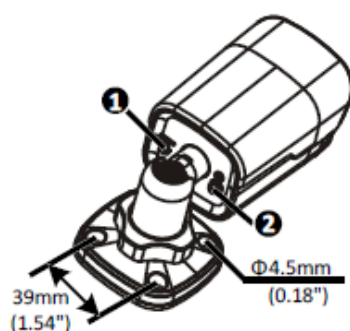
2.2.1 GV-ABL2701 / 2703 / 4701 / 4703 & TBL2703 / 4703 /

8804



No.	Description
1	Power connector (DC 12 V)
2	Ethernet connector / PoE

Load Default Button (for GV-ABL2703 / 4703 & GV-TBL2703 / 4703 / 8804 only)



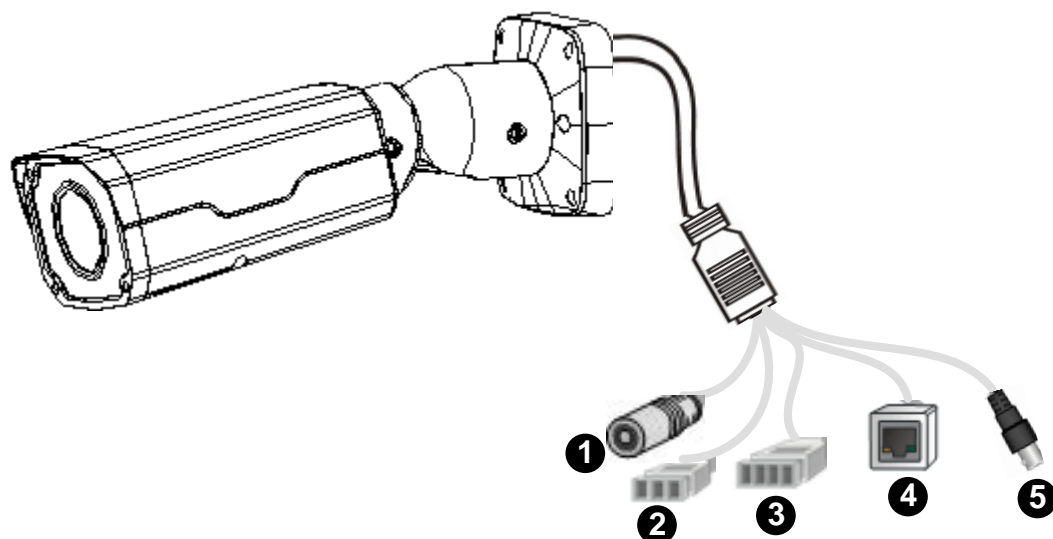
No.	Description	No.	Description
1	Load default button	5	Built-in microphone (For GV-TBL8804)
2	Grounding screw	6	LED Light x 2 (For GV-TBL8804)

3	Load default button / SD card slot (For GV-TBL8804)	7	IR Light x 1 (For GV-TBL8804)
4	Built-in speaker (For GV-TBL8804)		

Note:

1. For safety precautions, it is recommended to connect a grounding wire to the grounding screw, and do not loosen or remove the grounding screw under any circumstances.
 2. If the default button doesn't respond after pressing for 15 seconds, reboot the camera and try again within 10 minutes of rebooting.
-

2.2.2 GV-ABL2702 / 4711 / 4712 / 8712 & TBL4700 / 4710 / 4711 / 8710 / 8810



No.	Description
1	Power connector (DC 12 V)
2	Audio input / Audio output / GND
3	Alarm input (IN, GND) / Alarm output (N, P)
4	Ethernet connector / PoE
5	Video Output (GV-ABL8712 / TBL8710 Only)

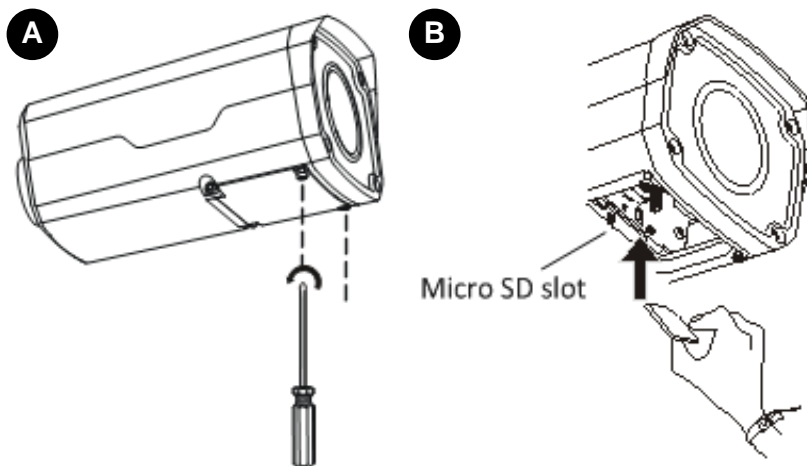
2.3 Installation

The Bullet IP Camera is designed for outdoors. With the standard package, you can install the camera on the wall or ceiling. Or, you can purchase optional mounting accessories to mount your camera on a wall.

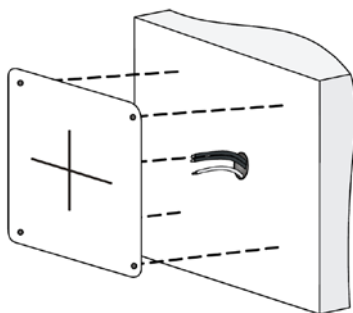
Below are the instructions for **Wall Mount**. There are two kinds of Wall Mount: **Concealed Installation** and **Open Installation**. In Concealed Installation, the cables are hidden in the wall. In Open Installation, the cables are led out from the open slot on the base.

For Concealed Installation

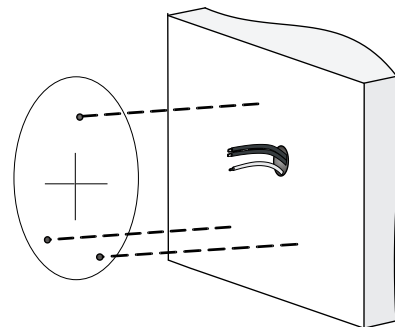
1. For **GV-ABL2702 / 4711 / 4712 / 8712 & TBL4700 / 4710 / 4711 / 8710 / 8804 / 8810**, optionally loosen the two screws at the bottom of the camera to insert a SD card.



2. Stick the drill template paster to the wall and align the cross center to the hole in the wall.
3. Lead the cables across the hole on the wall.

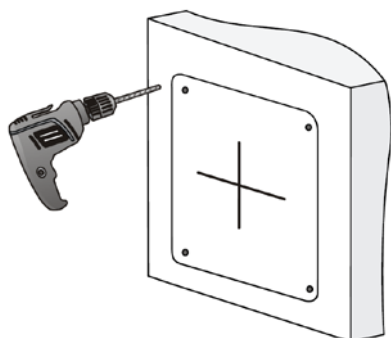


GV-ABL2702 / 4711 / 4712 / 8712
TBL4700 / 4710 / 4711 / 8710 / 8810

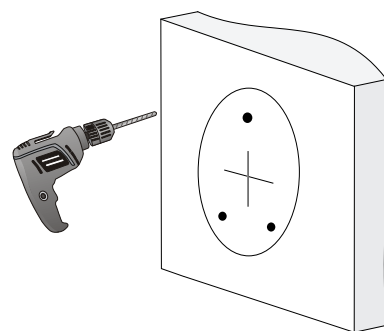


GV-TBL8804

4. Drill the holes according to the drill template.

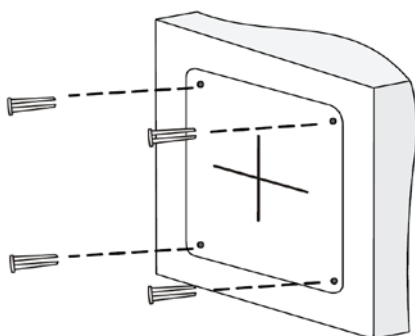


GV-ABL2702 / 4711 / 4712 / 8712
TBL4700 / 4710 / 4711 / 8710 / 8810

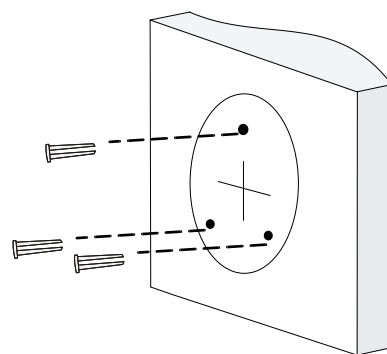


GV-TBL8804

5. Insert the screw anchors.

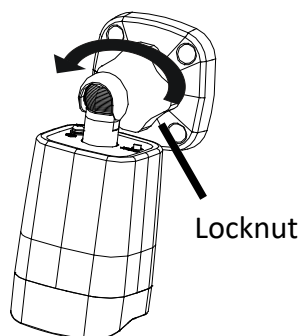


GV-ABL2702 / 4711 / 4712 / 8712
TBL4700 / 4710 / 4711 / 8710 / 8810

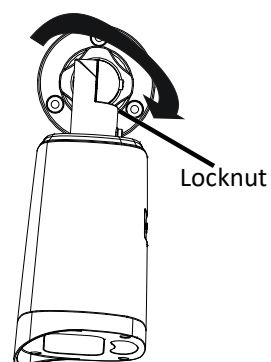


GV-TBL8804

6. Screw the locknut and loosen the universal joint before attaching the camera to the wall.

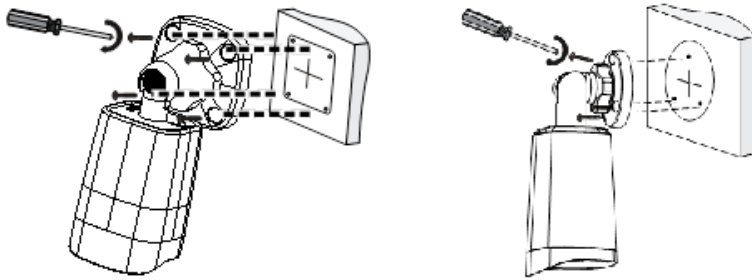


GV-ABL2702 / 4711 / 4712 / 8712
GV-TBL4700 / 4710 / 4711 / 8710 / 8810



GV-TBL8804

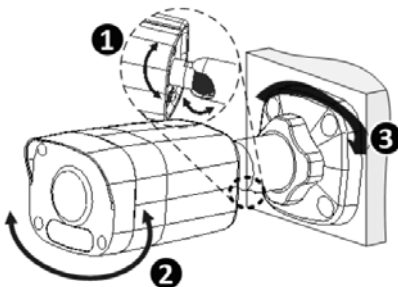
7. Secure the camera to the wall and connect all cables.



Lead tapping screws through the guide holes in the base and fix them on the wall by using a screwdriver.

8. To adjust the monitoring direction:

GV-ABL2702 / 4711 / 4712 / 8712 & TBL4700 / 4710 / 4711 / 8710 / 8804 / 8810



- 1 Adjust the opening of the universal joints as required.
- 2 Rotate the spherical hinge of the camera to get the desired monitoring direction.
- 3 Tighten the locknut.

GV- TBL8804



- 1 Loosen the screw to rotate the camera.
- 2 Loosen the screw to move the camera upward or downward.
- 3 Loosen the locknut to rotate the camera.

For Open Installation

Lead the cables out from the open slot on the base before screwing the camera to the wall as shown in step 6 in *For Concealed Installation*.

3. GV-ADR / TDR Series

Camera Type	Model No.
Mini Fixed Rugged IP Dome	GV-ADR2701 (IP66)
	GV-ADR2702 (IP67 + IK10)
	GV-ADR4701 (IP66 + IK10)
	GV-ADR4702 (IP67 + IK10)
	GV-TDR2700 Series (IP67 + IK10)
	GV-TDR2702 (IP67 + IK10)
	GV-TDR2704 Series (IP67 + IK10)
	GV-TDR4700 Series (IP67 + IK10)
	GV-TDR4702 (IP67 + IK10)
	GV-TDR4703 (IP67 + IK10)

3.1 Packing List

- IR Mini Fixed Rugged IP Dome

- Waterproof Rubber Set



- Screw Kit



- Drill Template Paster
- Download Guide
- Warranty Card

3.2 Overview



No.	Description
1	Ethernet connector / PoE
2	Power connector (DC 12 V)
3	Transparent Dome Cover
4	Micro SD card slot
5	For GV-TDR2700 / 4700 / 4703 series only, see the table below.

Wire Definition

GV-TDR2700 / 4700		GV-TDR4703 series	
Wire	Definition	Wire	Definition
Green	Audio In	Gray	Audio Out
Blue	GND	Purple	GND
Yellow	Alarm Out	Green	Audio In
White	Alarm Out	Brown	GND
Orange	Alarm Input	Orange	Alarm Input
Blue	GND	Blue	GND
Brown	Audio In	Yellow	Alarm Output
Blue	GND	White	Alarm Output
Gray	Audio Out		
Purple	GND		

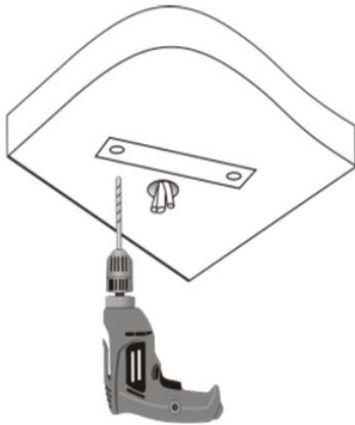
3.3 Installation

The IR Mini Fixed Rugged IP Dome is designed for outdoors. With the standard package, you can install the camera on the ceiling.

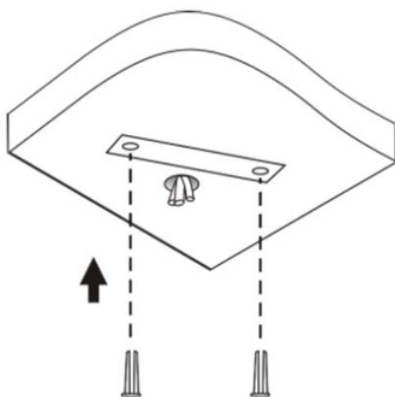
Below are the instructions for **Ceiling Mount**. There are two kinds of Ceiling Mount: **Concealed Installation** and **Open Installation**. In Concealed Installation, the cables are hidden in the ceiling. In Open Installation, the cables are led out from the open slot on the camera base.

For Concealed Installation

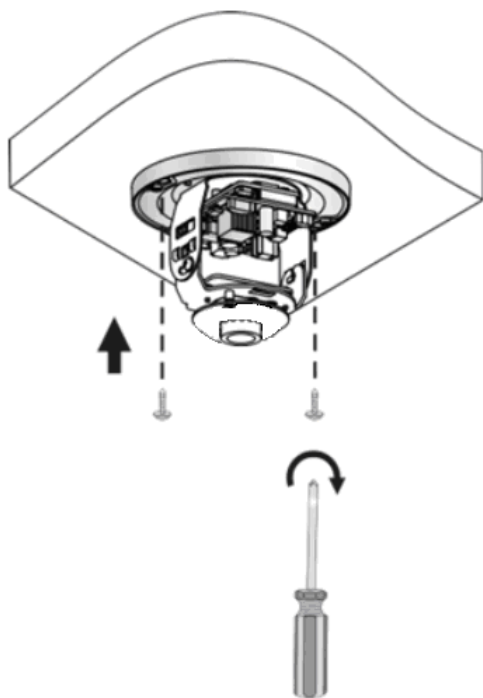
1. Stick the drill template paster to the ceiling and drill 30-mm deep holes according to the drill template.



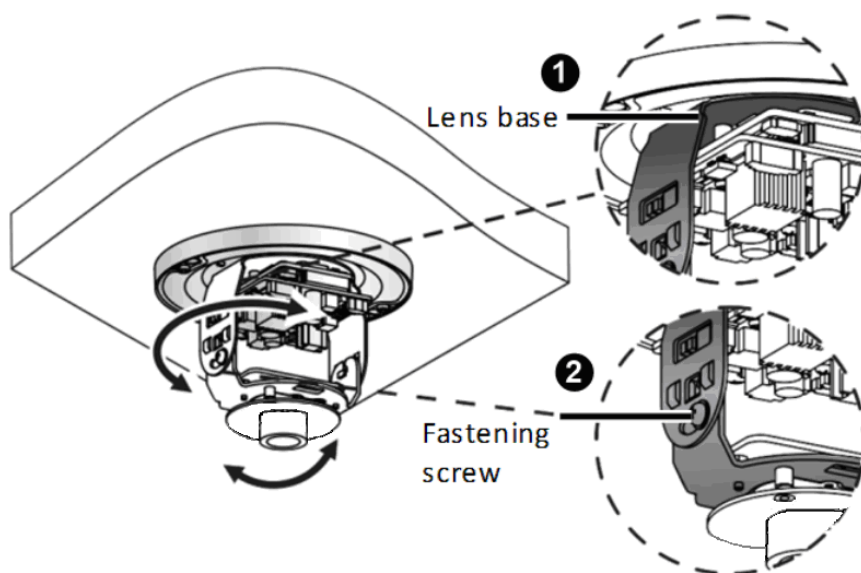
2. Insert the screw anchors.



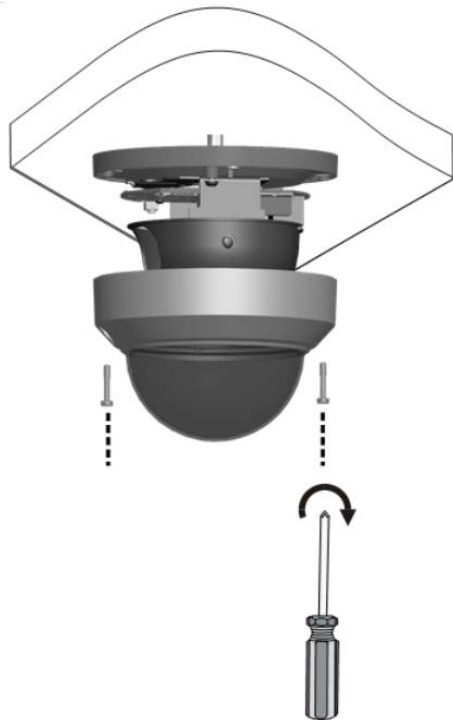
3. Unscrew the transparent dome cover with the supplied torx wrench.
4. Connect the cables and secure the camera.



5. Adjust the monitoring direction and tighten the screws after vertically adjusting the lens.



- Secure the transparent dome cover with the supplied torx wrench.



Note: Before securing the transparent dome cover, make sure the waterproof rubber strip is tightly held by the six retainers on the bottom ring.



For Open Installation

Lead the cables out from the open slot on the camera base before screwing the camera to the ceiling as shown in step 4 in *For Concealed Installation*.

4. GV-AVD / TVD Series

Camera Name	Model No.
Vandal Proof IP Dome	GV-AVD2700 (IP67 + IK10)
	GV-AVD4710 (IP67 + IK10)
	GV-AVD8710 (IP67 + IK10)
	GV-TVD4700 (IP67 + IK10)
	GV-TVD4710 (IP67 + IK10)
	GV-TVD4711 (IP66 + IK10)
	GV-TVD8710 (IP67 + IK10)
	GV-TVD8810 (IP67 + IK10)

4.1 Packing List

4.1.1 GV-TVD4711

- IR Vandal Proof IP Dome

- Screw Kit



- Drill Template Paster



- Torx Wrench



- Spare Waterproof Rubber Plug



- Cable Protection Connector



- 2-Pin Power Terminal Block



- Warranty Card

- Download Guide

4.1.2 GV-AVD / TVD Series

- IR Vandal Proof IP Dome

- Waterproof Rubber Set



- Screw Kit



- Drill Template Paster



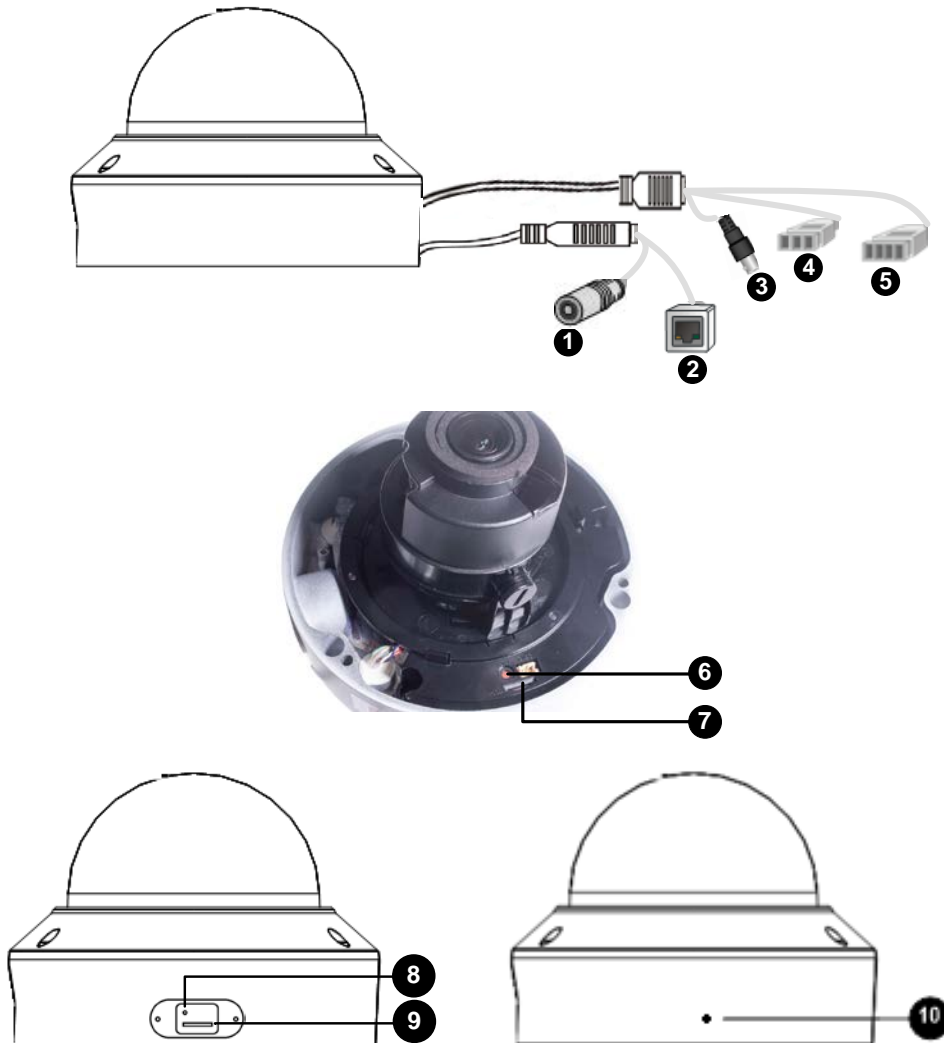
- Torx Wrench



- Warranty Card
- Download Guide

4.2 Overview

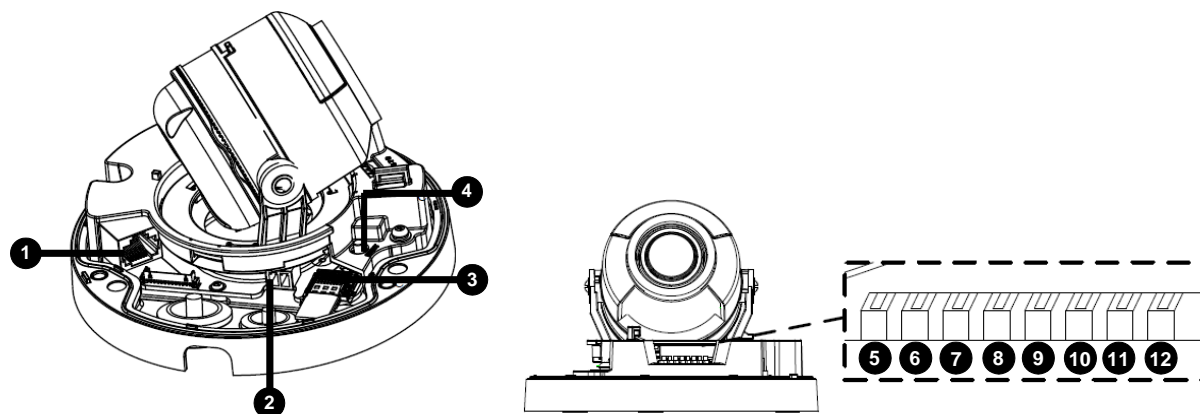
4.2.1 GV-AVD2700 / 4710 / 8710, GV-TVD4700 / 4710 / 8710 / 8810



No.	Description	No.	Description
1	Power connector (DC 12 V)	6	Default button
2	Ethernet connector / PoE	7	Micro SD card slot
3	Video output (Not applicable to GV-TVD4700 / 8810)	8	Default button (For GV-TVD8810)
4	Audio input / Audio output / GND (Not applicable to GV-TVD4700)	9	Micro SD card slot (For GV-TVD8810)
5	Alarm input (IN,GND) / Alarm output (N,P) (Not applicable to GV-TVD4700)	10	Built-in microphone (For GV-TVD8810)

Note: If the default button doesn't respond after pressing for 15 seconds, reboot the camera and try again within 10 minutes of rebooting.

4.2.2 GV-TVD4711



No.	Description	No.	Description
1	Ethernet port	7	GND
2	Power port (2-Pin terminal block)	8	Digital Input
3	Micro SD card slot	9	GND
4	Default button	10	Audio In
5	Digital Output (N)	11	GND
6	Digital Output (P)	12	Audio Out

Note: There are two ways to supply power to the camera:

- Use a Power over Ethernet (PoE) adapter to connect the camera to the network, and the power will be provided at the same time.
- Plug the power adapter to the supplied 2-pin terminal block by inserting the striped wire to the right pin (-) and the black wire to the left pin (+), then insert the 2-pin terminal block to *Power Connector, No. 2*.



4.3 Installation

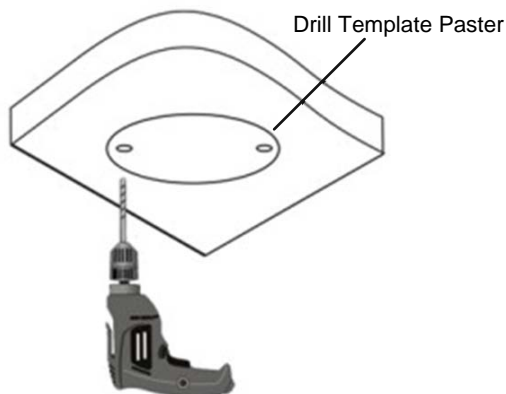
The Target Vandal Proof Dome is designed for outdoors. With the standard package, you can install the camera on the ceiling. Alternatively, you can purchase optional mounting accessories to mount the camera on a wall.

Below are the instructions for **Ceiling Mount**. There are two kinds of Ceiling Mount: **Concealed Installation** and **Open Installation**. In Concealed Installation, the cables are hidden in the ceiling. In Open Installation, the cables are led out from the open slot on the camera base.

4.3.1 GV-AVD2700 / 4710 / 8710, GV-TVD4700 / 4710 / 8710 / 8810

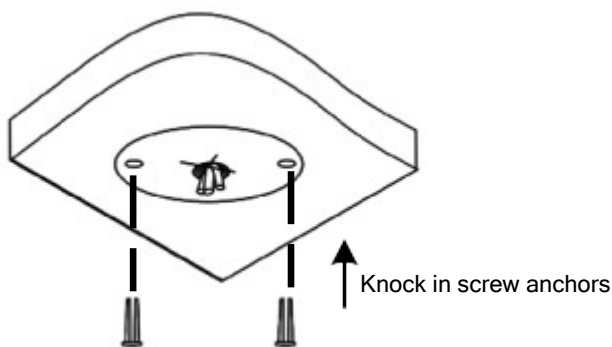
For Concealed Installation

1. Stick the drill template paster to the ceiling, and then drill three holes according to the drill template.



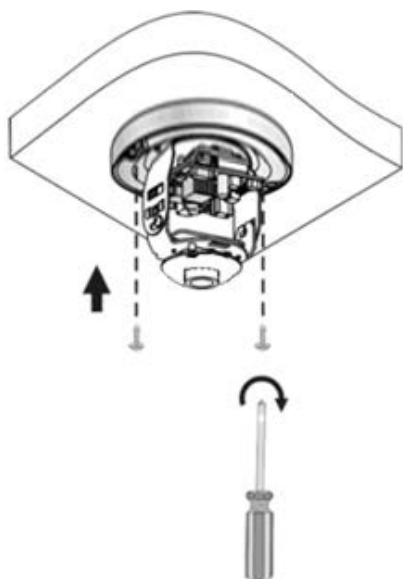
2. Insert the screw anchors.

Drill a hole to lead the cables out of the ceiling

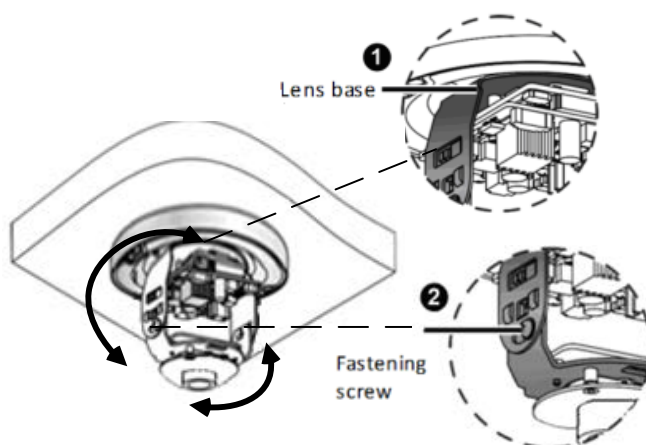


3. Unscrew the transparent dome cover with the supplied torx wrench.

4. Connect the camera cables and secure the camera.



5. Insert a SD card into the slot.
6. Adjust the monitoring direction and tighten the screws after vertically adjusting the lens.



7. Secure the transparent dome cover with the supplied torx wrench.

For Open Installation

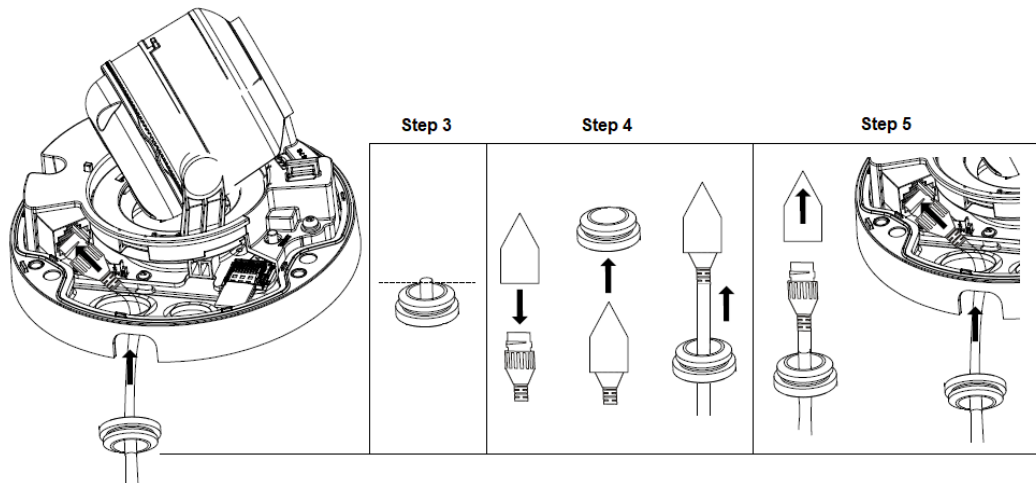
Lead the cables out from the open slot on the camera base before screwing the camera to the ceiling as shown in Step 4.

4.3.2 GV-TVD4711

1. Follow steps 1 to 3 in 4.3.1 *GV-AVD2700 / 4710 / 8710, GV-TVD4700 / 4710 / 8710*.

To install an Ethernet / PoE cable:

2. Remove the large waterproof rubber plug from the base of the camera.
3. Cut a small opening on the tip of the large waterproof rubber plug.
4. Attach the cable protection connector to the Ethernet cable head and push the Ethernet cable through the opening.
5. Remove the cable protection connector. Thread the Ethernet cable through the large hole to connect to the camera and press to embed the waterproof rubber plug.

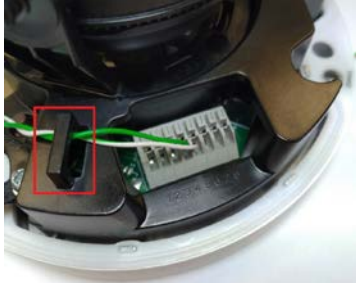


To install optional power and I/O wires:

6. Repeat steps 2 to 3 for the small waterproof rubber plug at the base of the camera.
7. Push the power and I/O wires through the opening on the small waterproof plug.
8. Thread the wires through the small hole and press to embed the waterproof rubber plug.
9. Attach the supplied 2-pin terminal block to the power wires.

10. Connect the 2-pin terminal block and I/O wires to the camera.

Tip: When connecting the I/O wires to the camera, thread the I/O wires through the protruded loop.



To finish the installation:

11. Secure the camera and insert a micro SD card to the slot.
12. Secure the transparent dome cover with the supplied torx wrench.

5. GV-TFD Series

Camera Type	Model No.
Mini Fixed IP Dome	GV-TFD4700

5.1 Packing List

5.1.1 GV-TFD4700

- IR Mini Fixed IP Dome

- 2-Pin Power Terminal Block



- Drill Template Paster
- Warranty Card
- Download Guide

- Screw Kit

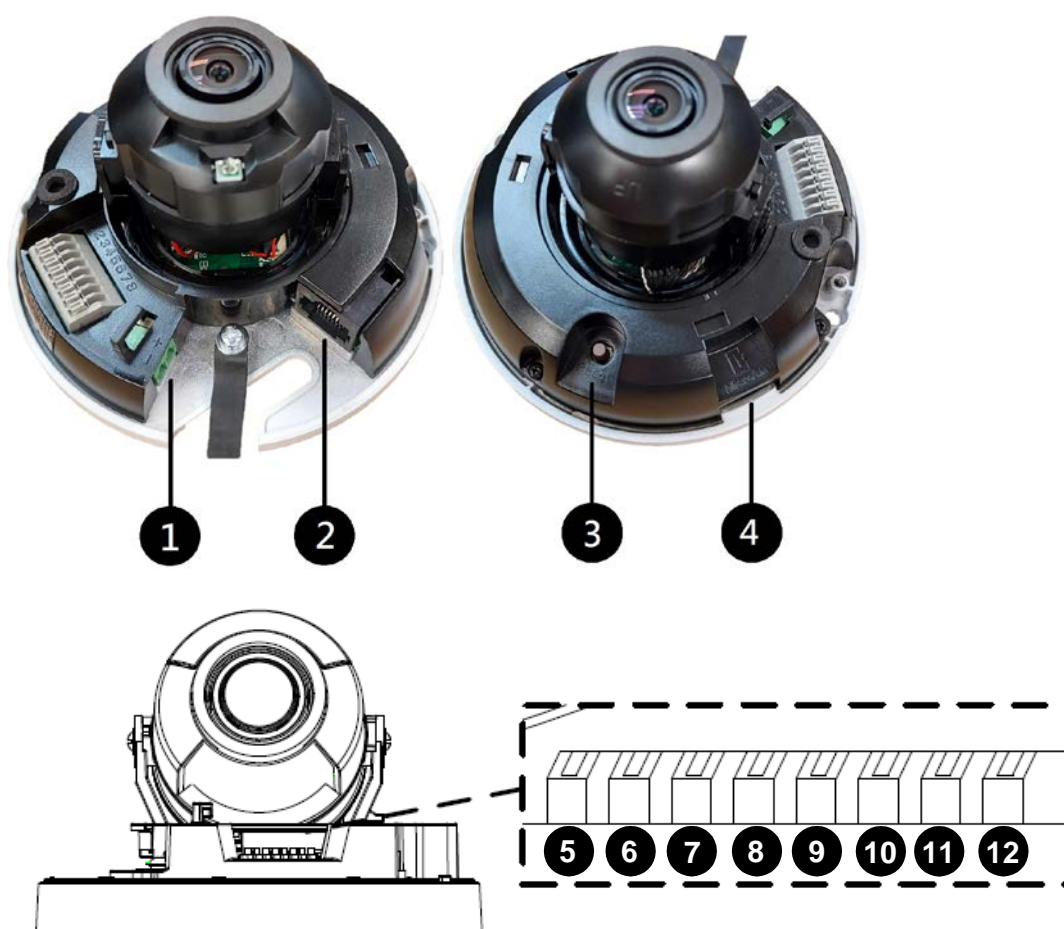


- Torx Wrench



5.2 Overview

5.2.1 GV-TFD4700



No.	Description	No.	Description
1	Power port (2-Pin terminal block)	7	Audio In
2	Ethernet port	8	GND
3	Default button	9	Alarm Input
4	Micro SD card slot	10	GND
5	Audio Out	11	Alarm Output P
6	GND	12	Alarm Output N

Note: There are two ways to supply power to the camera:

- Use a Power over Ethernet (PoE) adapter to connect the camera to the network, and the power will be provided at the same time.
- Plug the power adapter to the supplied 2-pin terminal block by inserting the striped wire to the right pin (-) and the black wire to the left pin (+), and then insert the 2-pin terminal block to *Power Connector, No. 1*.

5.3 Installation

The IR Mini Fixed IP Dome is designed for indoors. With the standard package, you can install the camera on the ceiling.

Below are the instructions for **Ceiling Mount**. There are two kinds of Ceiling Mount: **Concealed Installation** and **Open Installation**. In Concealed Installation, the cables are hidden in the ceiling. In Open Installation, the cables are led out from the open slot on the camera base.

5.3.1 GV-TFD4700

For Concealed Installation

1. Follow steps 1 to 3 in *3.3 Installation*.
2. Insert a micro SD card.
3. Connect the Ethernet cable, I/O wires, and power terminal block to the camera through the opening on the camera base, and secure the camera to the ceiling.

Tip: When connecting the I/O wires to the camera, thread the I/O wires through the protruded loop as shown in *Step 10, 4.3.2 GV-TVD4711*.

4. Loosen the fastening screws and rotate the lens vertically toward the camera base on the side with the “UP” indicator.



Note: Make sure to adjust the lens as stated in Step 4 for any type of installation, in order for the lens to rotate smoothly upon powering up. For installation on the wall, also make sure the “UP” indicator is facing up towards the ceiling.

5. Secure the transparent dome cover with the supplied torx wrench.

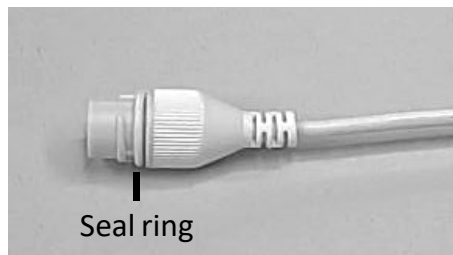
For Open Installation

Lead the cables out from the opening on the camera base before screwing the camera to the ceiling in Step 3.

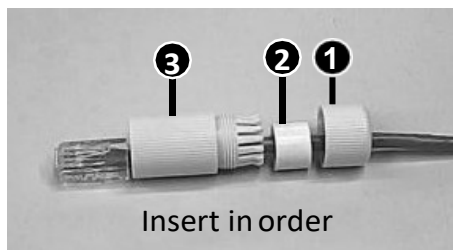
6. Waterproofing the Cable

Waterproof the Ethernet cable by using the supplied waterproof rubber set.

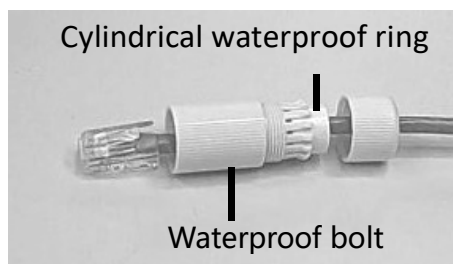
1. Attach the seal ring to the RJ-45 plug.



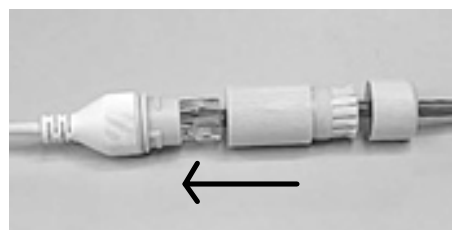
2. Insert the waterproof components through the Ethernet cable as shown below.



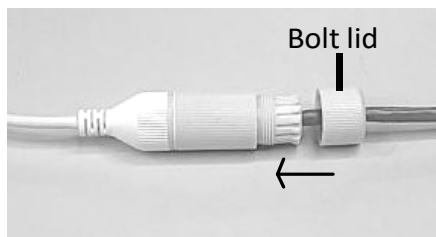
3. Insert the cylindrical waterproof ring into waterproof bolt.



4. Insert the cable into the RJ-45 plug and screw the waterproof bolt in.



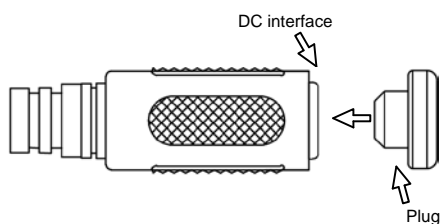
5. Screw in the waterproof bolt lid.



6. Finish the waterproof installation.



7. If the camera has a DC cable and is not in use, you can waterproof it by inserting the supplied plug into the DC interface.



IMPORTANT: After installing the camera, it is required to use waterproof tapes to cover and protect any of the tail cables and connection points that are exposed, see *Note for Installing Camera Outdoor* at the beginning of the quick start guide.

7. Accessing the Camera

7.1 System Requirements

Once installed, your camera is accessible over the network. Make sure your PC has good network connection and meet the following requirements:


CPU	Intel Core i5-4670, 3.40 GHz
Memory	DDR3 8 GB RAM
On Board Graphics	Intel HD Graphics 4600 (Versions of driver from year 2014 or later required)
Web Browsers	<ul style="list-style-type: none">● Internet Explorer 11.0 or above● Google Chrome● Microsoft Edge● Mozilla Firefox● Safari
Note: <ol style="list-style-type: none">1. Some functions are not available on non-IE browsers, e.g. Local Settings (see 3.1.2 Local Settings in the <i>User's Manual</i>) is not supported by Google Chrome.2. Only H.264 codec is supported for live view on non-IE browsers.	

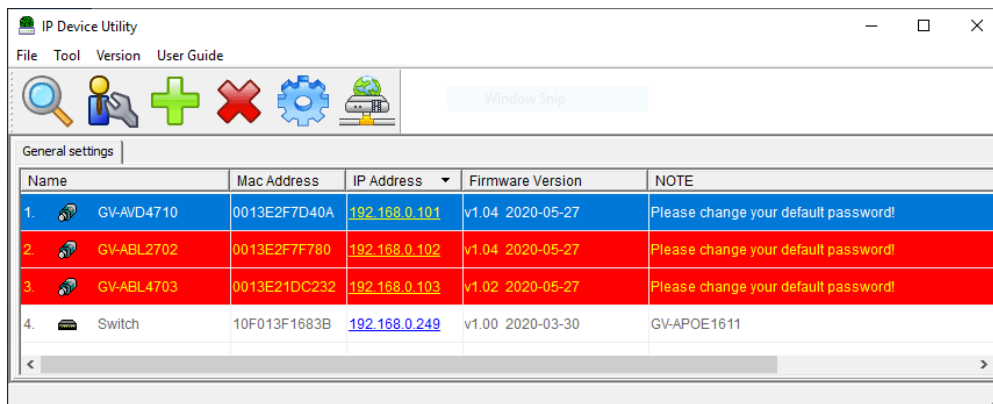
7.2 Looking Up the Dynamic IP Address

By default, when the camera is connected to LAN a with DHCP server, it is automatically assigned with a dynamic IP address. Follow the steps below to look up its IP address.

Note:

1. The computer you use to configure the IP address must be under the same LAN as your camera.
 2. By default, the Administrator's username is **admin** and cannot be modified.
-

1. Download and install the **GV-IP Device Utility** program from the company [website](#).
2. On the GV-IP Utility window, click the  button to search for the IP devices connected in the same LAN. Click the **Name** or **Mac Address** column to sort.
3. Find the camera with its Mac Address, click on its IP address.



4. For the first-time users, you will be requested to set up a password.
5. Type a new password and click **OK**.
6. Type your username and password on the login page and click **Login**.

7.3 Configuring the IP Address

If the camera is connected to a LAN without DHCP server, the default IP address will be **192.168.0.10**. Follow the steps below to modify the IP address to avoid IP conflict with other GV-IP devices on the same LAN.

1. Open your Web browser, and type the default IP address **192.168.0.10**.
2. Type your username and password. Click **Login**.
3. Click **Setup**, select **Common** in the left menu and select **Ethernet**.

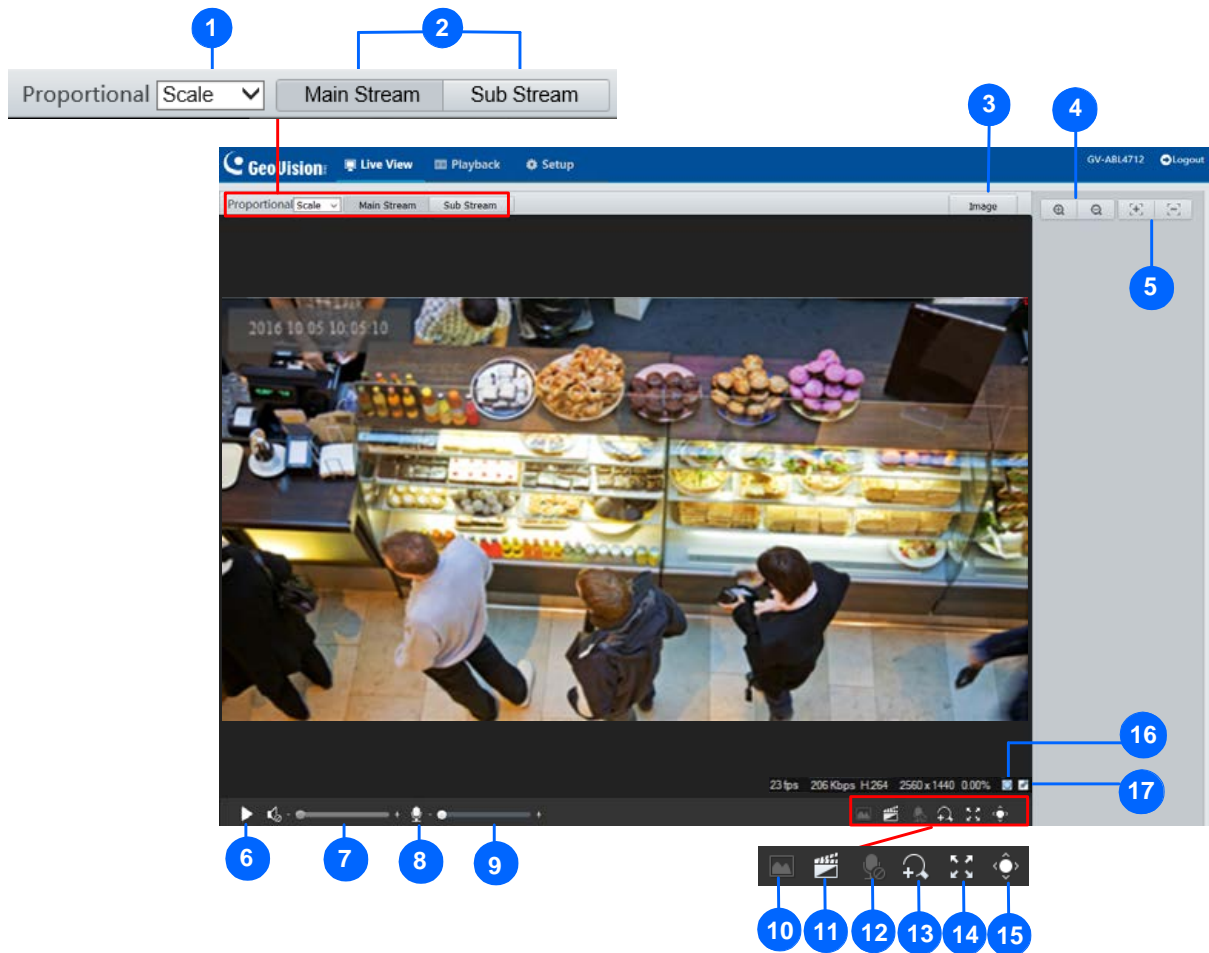
The screenshot displays the GeoVision web interface. At the top, there is a navigation bar with 'Live View', 'Playback', 'Photo', and 'Setup' (highlighted with a red box). The left sidebar shows a menu with 'Common' selected, and 'Network' highlighted with a red box. The main content area is titled 'Network' and contains the following configuration options:

- Obtain IP Address:** Static (dropdown menu)
- IP Address:** 192.168.5.220 (text input)
- Subnet Mask:** 255.255.248.0 (text input)
- Default Gateway:** 192.168.0.1 (text input)
- IPv6 Section:**
 - IPv6 Mode:** Manual (dropdown menu)
 - IPv6 Address:** (empty text input)
 - Prefix Length:** 64 (text input)
 - Default Gateway:** (empty text input)
- MTU:** 1500 (text input)
- Port Type:** FE Port (dropdown menu)
- Operating Mode:** Auto-negotiation (dropdown menu)
- Save:** (blue button)















4. Select **Static IP** from the **Obtain IP Address** drop-down list.
5. Enter the IP address, subnet mask, and default gateway address. Make sure that the IP address of the camera is unique in the network.
6. Click **Save**.

8. The Web Interface

Once you log in the Web interface, you will see the live view as shown below.



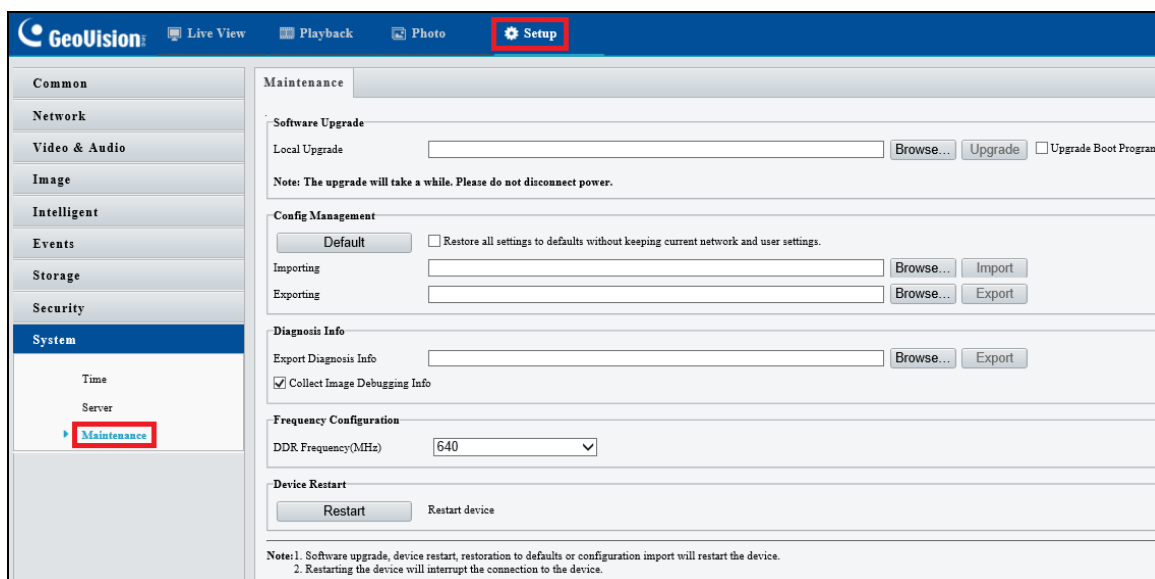
No.	Name	Function
1	Proportional	Set the display ratio of the image. <ul style="list-style-type: none"> • Scale: display images by 16:9. • Stretch: display images by window size. • Original: display images in its original size.
2	Live Stream	Select a live video stream: main stream, sub stream or third stream (when enabled).
3	Image	Open the image setting page. – See 3.4.1 <i>Image</i> in the <i>User's Manual</i> .

4	Zoom +/-	Only for models with motorized varifocal lens , increase  or decrease  the camera's optical zoom.
5	Focus +/-	Only for models with motorized varifocal lens , increase  or decrease  the camera focus.
6	Play/Stop	Play or stop live video.
7	Video Volume	Only for audio-supporting models , adjust the audio output volume on the PC.
8	Microphone	Only for audio-supporting models , enable  or disable  microphone.
9	Microphone Volume	Only for audio-supporting models , adjust the microphone volume on the PC during audio communication between the PC and the camera.
10	Snapshot	Take a snapshot of the current image displayed on the PC.
11	Local Recording	Start  or stop  local recording.
12	Two-way Audio	Only for two-way-audio-supporting models , start  or stop  two-way audio.
13	Digital Zoom	Enable  or disable  digital zoom. – See 2.2.1.1 <i>Digital Zoom</i> in the <i>User's Manual</i> .
14	Full Screen	Display in full screen mode.
15	Control Panel	Only for models with motorized varifocal lens , hide or show the camera's optical zoom and focus functions.
16		Reset the packet loss rate to zero.
17		Click to always display packet loss rate and bit rate information at the bottom. Click again to restore to only displaying the information for 3 seconds when the mouse cursor is moved onto the live view.
<p>Note:</p> <ol style="list-style-type: none"> The paths for saving snapshots and local recordings are set in Local Settings. See 3.1.2 <i>Local Settings</i> in the <i>User's Manual</i>. The No. 16 and 17 buttons will appear on the floating toolbar when you move the mouse cursor onto the live view. 		

9. Upgrading System Firmware

GeoVision periodically releases updated firmware on the company [website](#). To load the new firmware into the camera, follow the instructions below.

1. At the top of the Web interface, click **Setup**.
2. In the left menu, select **System** and select **Maintenance**. This page appears.



3. Click **Browse** under **Software Upgrade** to locate the firmware file (.zip) saved at your local computer.
4. Click **Upgrade** to process the upgrade.

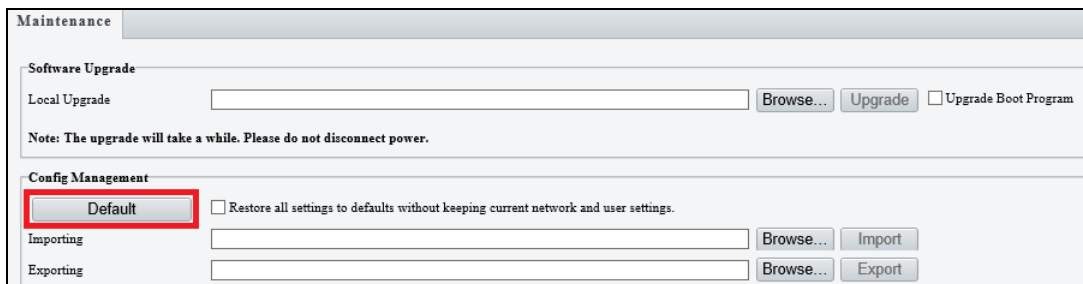
10. Restoring to Factory Default

If for any reason the camera is not responding correctly, you can restore the camera back to its factory default settings using the Web interface or the **Default Button**.

Note:

1. Only **GV-EBD4711 / 4712 / 8711 / 8813, GV-ABL2703 series / 4703, GV-AVD2700 / 4710 / 8710, GV-TBL2703 series / 4703 / 8804, GV-TFD4700, and GV-TVD4700 / 4710 / 4711 / 8710 / 8810** support a default button. For where the button is on the camera, see the *Overview* section in their respective chapters.
 2. If the default button doesn't work after pressing for 15 seconds, reboot the camera and try again within 10 minutes of rebooting.
-

1. In the Web interface, click **Setup**.
2. In the left menu, select **System** and select **Maintenance**.
3. Under the **Config Management** section, click **Default**.



The screenshot shows the 'Maintenance' web interface. It is divided into two main sections: 'Software Upgrade' and 'Config Management'.
The 'Software Upgrade' section includes a 'Local Upgrade' field with a 'Browse...' button and an 'Upgrade' button. There is also an unchecked checkbox for 'Upgrade Boot Program'. A note below states: 'Note: The upgrade will take a while. Please do not disconnect power.'
The 'Config Management' section features a 'Default' button, which is highlighted with a red rectangle. To its right is an unchecked checkbox with the text: 'Restore all settings to defaults without keeping current network and user settings.'
Below the 'Default' button are two rows: 'Importing' and 'Exporting'. Each row has a text input field, a 'Browse...' button, and an 'Import' or 'Export' button respectively.