

GV-SD220 Indoor Full HD IP Speed Dome



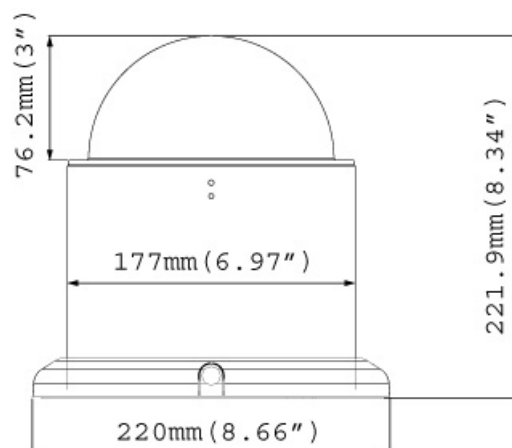
- 1/2.8" Progressive Scan CMOS sensor
 - Full HD 1080p at up to 30 fps and 720p at up to 60 fps
 - 20x optical zoom and 12x digital zoom
 - H.264 and MJPEG video compression
 - Dual streams
 - IR-cut filter for day and night function
 - 4 digital inputs, 1 relay output
 - Built-in micro SD card slot (SD/SDHC) for local storage
 - Auto focus
 - Wide Dynamic Range pro (WDR pro)
 - Backlight Compensation
 - Image noise reduction
 - Pan 360° endlessly
 - Tilt from 0° up to 180°
 - Preset speed at up to 460° /sec
 - PTZ movement (Preset, Sequence, Auto Pan, Cruise and Tour)
 - PTZ movements by schedule
 - Auto and manual PTZ calibration
 - Motion detection
 - Privacy Mask
 - 2-way audio
 - Supports iPhone, iPad, Android & 3GPP
 - 31 languages on Web interface
- * No memory card slot & local storage function for Argentina

Introduction

The GV-IP Speed Dome is a network PTZ camera designed for image quality and adaptability in various environments. This camera offers image of 1080p at 30 fps, 720p at 60 fps and 20x optical zoom, capable of showing smooth live view with great detail. In low-light environments, image quality is promised with its image processing tools, such as IR cut filter (ICR), Wide Dynamic Range pro (WDR pro), Backlight Compensation and noise reduction.

Wide surveillance coverage is made possible with 360° endless panning and 180° tilting capacity. Dome movements such as Preset, Sequence, Auto Pan, Cruise and Tour can be programmed and activated by schedule. You can create multiple dome movement modes and have different modes enabled at different time slots. The GV-IP Speed Dome provides variable pan/tilt speeds ranging from a fast patrol of 460° per second to a slow ramble of 0.5° per second with 0.2° pan accuracy for fast and accurate tracking ability.

Dimensions



Specifications

Camera		
Image Sensor	1/2.8" CMOS	
Optical Zoom	20x	
Digital Zoom	12x	
Effective Pixels	2M	
Video Output	Internet	
S/N Ratio	50 dB (AGC Off)	
Minimum Illumination	Color	0.05 Lux at F/1.6
	B/W	0.005 Lux at F/1.6
Focal Length	4.7 ~ 94 mm	
Focus Mode	Auto / Manual	
White Balance	Auto / Manual	
Iris Control	Auto / Manual	
Electronic Shutter	1/1 ~ 1/10000 sec.	
AGC control	Auto / Manual	
Back Light Compensation	On / Off	
WDR pro	Yes	
Video		
Video Codec	H.264, MJPEG	
Video Resolution	16:9	1920 x 1080, 1280 x 720, 640 x 360, 448 x 252
Frame Rate	30/25 fps (60/50 Hz) at 1920 x 1080	
	60/50 fps (60/50 Hz) at 1280 x 720	
Audio		
Audio input/output	2-way audio, stereo jack, Ø 35 mm	
Audio Codec	G.711	
Network		
Interface	10/100 Base-T Ethernet, RJ-45 connector	
Protocol	DHCP, DynDNS, FTP, HTTP, HTTPS, NTP, QoS (DSCP), RTSP, SNMP, SMTP, TCP, UDP, UPnP, 3GPP/ISMA	
Mechanical		
Temperature Detector	Yes	
Connectors	Power	DC Jack
	Local Storage	Micro SD card slot (SD/SDHC, SD version 2.0 only, Class 10) *SDXC and UHS-I card types are not supported.
	Digital I/O	I/O wires
Web Interface		
Installation Management	Web-based configuration	
Firmware Upgrade	Remote upgrade through Web Browser, IP Device Utility included in the Software CD	
Access from Web Browser	live view, video recording, PTZ control, Preset, Sequence, Cruise, Auto Pan, Tour, image quality settings, bandwidth control, image snapshot, I/O control, 2-way audio, Picture-in-Picture (PIP), Picture-and-Picture (PAP), Wide Angle Lens Dewarping (WALD), Text Overlay, image masking	
Language	Arabic / Bulgarian / Czech / Danish / Dutch / English / Finnish / French / German / Greek / Hebrew / Hungarian / Indonesian / Italian / Japanese / Lithuanian / Norwegian / Persian / Polish / Portuguese / Romanian / Russian / Serbian / Simplified Chinese / Slovakian / Slovenian / Spanish / Swedish / Thai / Traditional Chinese / Turkish	
Operation		
Pan Travel	360° endless	
Tilt Travel	0° ~ 180°	
Movement Speed	0.5° ~ 460°/s	
Calibration	Auto / Manual	
Presets	Max. Number	255
	Accuracy	0.2°
Sequence	Max. Number	8
	Max. Presets Allowed	16
Auto Pan	8	
Cruise	4	
Tour	Max. Number	8
	Max. Number of Preset / Sequence / Auto Pan / Cruise	16

Operation		
Privacy Mask		8
Proportional Pan & Tilt		On/Off (Pan and tilt speed proportional to zoom ratio)
Automatic Function		Preset, Sequence, Auto Pan, Cruise, Tour
Mechanical Flip		On / Off
Digital Slow Shutter		On / Off
Motion Detection		On / Off
Day/Night: Mechanical IR Cut Filter		On / Off
Picture Flip		On / Off
Image Freeze		On / Off
Digital Noise Reduction		On / Off
Alarm	Input	4
	Output	1
	Reaction	Preset, Sequence, Auto pan, Cruise, Tour

General	
Operating Temperature	-10°C ~ 50°C (14°F ~ 122°F)
Humidity	20% ~ 90% (non-condensing)
Dimensions	Ø 177 x 221.9 mm (7" x 8.8")
Weight	3.2 Kg (7.1 lb)
Power Source	24V AC ± 10%, 3A / 24V DC ± 10%, 3.75A
Power Consumption	30 W
Regulatory	CE, FCC, RoHS

Applications	
Network Storage	GV-NVR, GV-System, GV-Backup Center, GV-Recording Server
Smart Device Access	- GV-Eye for Android smartphone, tablet, iPhone, and iPod Touch- GV-Eye HD for iPad
Live Viewing	IE , GV-MultiView
CMS Server support	GV-Control Center, GV-Center V2, GV-VSM

Note: Specifications are subject to change without notice.

Packing List

- | | |
|----------------------------------|---------------------------------|
| 1. GV-SD220 Indoor IP Speed Dome | 4. GV-IP Speed Dome Software CD |
| 2. Hard Ceiling Cover | 5. GV-NVR Software DVD |
| 3. Mounting Plate | |

Accessories

Part Number	Name	Details
GV-Mount907	In-Ceiling Mounting Kit	Dimension: Ø 230 x 153.49 mm (Ø 9.08" x 6.05") Weight: 0.87 kg (1.91 lb)



Part Number	Name	Details
	DC 24V Power Adaptor 100-240VAC US	 <p> Dimensions (L x W): 132.75 x 58.6 mm (5.23" x 2.3") Weight: 0.39 kg (0.86 lb) Input: 100 to 240V AC 2.5A 50-60Hz Output: 24V DC 3.75 A </p>
	DC 24V Power Adaptor 100-240VAC AU	
	DC 24V Power Adaptor 100-240VAC AR	
	DC 24V Power Adaptor 100-240VAC EU	
	DC 24V Power Adaptor 100-240VAC JU	
	DC 24V Power Adaptor 100-240VAC UK	