

## GV-PT130D 1.3MP H.264 WDR IR Pan Tilt IP Camera



- 1.3 megapixel progressive scan CMOS
- Dual streams from H.264 and MJPEG
- Up to 30 fps at 1280 x 1024
- Pan and tilt (Pan: -175° ~ 175°; Tilt: -45° ~ 90°)
- Input-triggered Preset points
- One sensor input and alarm output
- Built-in / external microphone
- Built-in Micro SD (SDHC / SDXC) card slot for local storage
- DC 12 V / AC 24 V / PoE
- Removable IR-cut filter for Day/Night function
- Intelligent IR
- Wide Dynamic Range (WDR)
- 2-way audio
- Motion detection
- Defog
- IP address filtering
- Supports iPhone, iPad, Android & 3GPP
- 31 languages on Web interface
- ONVIF (Profile S) conformant

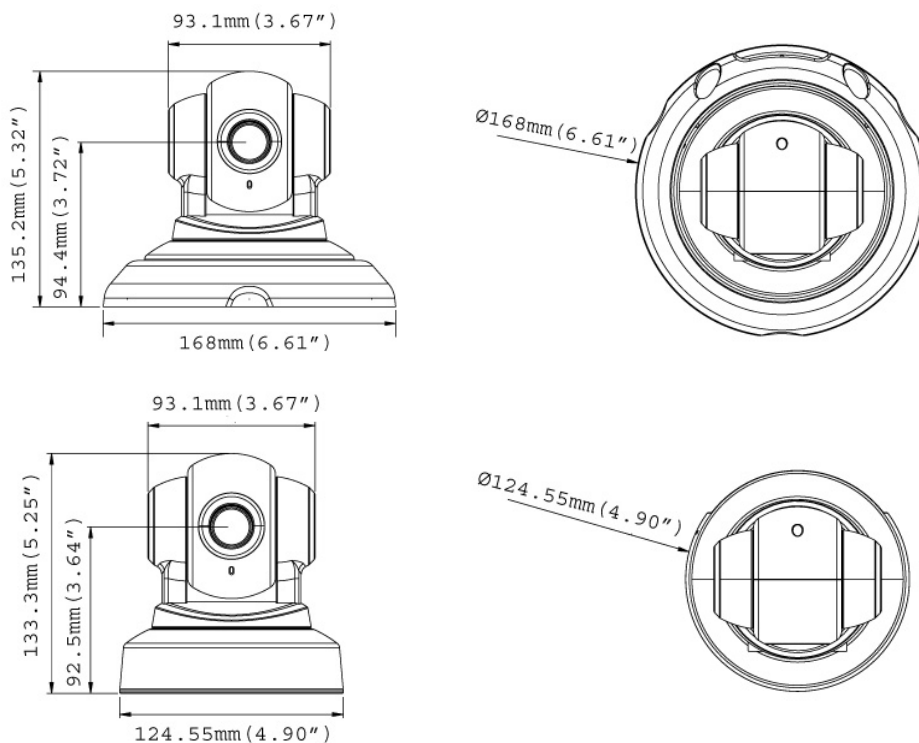
\* No memory card slot & local storage function for Argentina.

### Introduction

The GV-PT130D is an indoor pan and tilt camera that is designed to monitor a wide surveillance area. The camera supports remote pan and tilt control and is capable of storing pre-established panning/tilting movements and points on live view for immediate monitoring. Equipped with IR LEDs and IR-cut filter, the camera provides excellent image quality in the dark.

### Overview

- Dimensions



- Panel



## Specifications



Camera		
Image Sensor	1/2.5" progressive scan CMOS	
Picture Elements	1280 (H) x 1024 (V)	
Minimum Illumination	Color	0.15 Lux
	B/W	0.1 Lux
	IR ON	0 Lux
Shutter Speed	Automatic, Manual (1/5 ~ 1/8000 sec.)	
White Balance	Automatic, Manual (2800K ~ 8500K)	
Gain Control	Automatic	
S/N Ratio	45 dB	
BLC	Yes	
Lens		
Megapixel	Yes	
Day/Night	Yes (with removable IR-cut filter)	
Iris	Fixed	
Focal Length	4.0 mm	
Maximum Aperture	F/1.5	
Lens Mounting	M12, Pitch 0.5 mm	
Image Format	1/2.5"	
Operation	Focus	Manual (w/lock)
	Zoom	Fixed
	Iris	Fixed
IR LED Quantity	10 IR LEDs	
Max. IR Distance	15 m (50 ft.)	
Operation		
Video Compression	H.264, MJPEG	
Video Stream	Dual Streams	

Operation			
Video Resolution	Main Stream	4:3	1280 x 960
		16:9	1280 x 720
		5:4	1280 x 1024
	Sub Stream	4:3	640 x 480, 320 x 240
		16:9	640 x 360, 448 x 252
		5:4	640 x 512, 320 x 256
Frame Rate	30 fps at 1280 x 1024 *The frame rate and the performance may vary depending on the number of connections and data bitrates (different scenes).		
Image Setting	Brightness, Contrast, Sharpness, Gamma, White Balance, Flicker-less, Image Orientation, Shutter Speed, D/N sensitivity, Backlight Compensation, WDR, Defog		
Audio Compression	G.711		
Two-way Audio	Yes		
Sensor Input	1 Input (Dry Contact)		
Alarm Output	1 Output		
Network			
Interface	10/100 Ethernet		
Protocol	HTTP, HTTPS, TCP, UDP, SMTP, FTP, DHCP, NTP, UPnP, DynDNS, 3GPP/ISMA, RTSP, PSIA, SNMP, QoS (DSCP), ONVIF (Profile S)		
Mechanical			
Temperature Detector	Yes		
Camera Angle Adjustment	Pan	-175° ~ 175°	
	Tilt	-45° ~ 90°	
Connectors	Power	2-pin terminal block, PoE	
	Ethernet	Ethernet (10/100 Base-T), RJ-45 cable	
	Audio	1 In (Using a built-in or an externally connected microphone) 1 Out (Stereo phone jack, 3.5 mm / 0.14")	
	Local Storage	Micro SD memory card slot (SDHC / SDXC for Class 6 card or above)	
	Digital I/O	3-pin terminal block (pitch 2.5 mm / 0.1")	
LED Indicator	2 LEDs: Power and Status		
General			
Environment Temperature	0°C ~ 50°C (32°F ~ 122°F )		
Humidity	10% to 90% (no condensation)		
Power Source	12V DC / 24V AC / PoE		
Max. Power Consumption	12.5 W (max. 1.25A at 12V DC)		
Regulatory	CE, FCC, C-Tick, RoHS compliant		
Dimensions	With mounting base and cover	167.75 x 166.78 x 135.2 mm (6.6" x 6.57" x 5.32")	
	Without mounting base and cover	124.55 x 122.73 x 133.3 mm (4.9" x 4.83" x 5.25")	
Weight	440 g (0.97 lb)		
Regulatory	CE, FCC, C-Tick, RoHS compliant		
Power over Ethernet			
PoE Standard	IEEE 802.3af Power over Ethernet / PD		
PoE Power Supply Type	End-Span		
PoE Power Output	Per Port 48V DC, 350mA. Max. 15.4 watts		
Web Interface			
Installation Management	Web-based configuration		
Maintenance	Firmware upgrade through Web Browser or Utility		
Access from Web Browser	Camera live view, video recording, change video quality, bandwidth control, image snapshot, audio, Picture in Picture, Picture and Picture, Text Overlay		
Language	Arabic / Bulgarian / Czech / Danish / Dutch / English / Finnish / French / German / Greek / Hebrew / Hungarian / Indonesian / Italian / Japanese / Lithuanian / Norwegian / Persian / Polish / Portuguese / Romanian / Russian / Serbian / Simplified Chinese / Slovakian / Slovenian / Spanish / Swedish / Thai / Traditional Chinese / Turkish		

Applications	
Network Storage	GV-NVR, GV-System, GV-Backup Center, GV-Recording Server
Smart Device Access	GV-Eye for Android smartphone, tablet, iPhone, and iPod Touch GV-Eye HD for iPad
Live Viewing	IE, mobile phone
CMS Server support	GV-Center V2, GV-VSM, GV-Control Center

**Note:** Specifications are subject to change without notice.

### Accessories

Name	Details
<b>GV-PA191 PoE Adapter</b> 	Weight: 130 g (0.29 lb) Dimensions (H x W x D): 43 x 69 x 40 mm (1.69" x 2.72" x 1.57")
<b>GV-Relay V2</b> 	The GV-Relay V2 is designed to expand the voltage load of GV IP devices. It provides 4 relay outputs, and each can be set as normally open (NO) or normally closed (NC) independently as per your requirement.
<b>Power Adapter</b>	Power adapters are available in 4 regions: U.S.A., Australia, U.K and Europe.