

## GV-FE421 4MP H.264 Fisheye IP Camera



### Introduction

The GV-FE421 is a fisheye camera that allows you to monitor all angles of a location using just one camera. The distorted hemispherical image of the fisheye camera will be converted into the conventional rectilinear projection.

Without installing any software, you can watch live view and utilize functions such as motion detection, privacy mask, and alert notification through the Web interface using an IE browser. In addition, the GV-FE421 seamlessly integrates with the GV-System, providing advanced monitoring and video management features.

The GV-Fisheye IP Camera is designed to be mounted on the ceiling, wall or ground. There are two ways to mount the GV-FE421 on the ceiling, Hard Ceiling Mount and In-Ceiling Mount. In-Ceiling Mount allows the GV-FE421 to be mounted into the ceiling, revealing a small portion of the camera.

### Key Features

- 4MP progressive scan CMOS
- H.264 and MJPEG
- [Digital Object Tracking](#)
- Electronic Day/Night function
- Provides 360 and 180 degrees panorama view
- No mechanical moving parts
- Built-in Web server for monitoring through IE browser
- Virtual PTZ function
- Auto Pan function
- Different angle of view accessible by multiple users at the same time
- Playback from any view angle and zoom level
- Privacy mask
- Visual automation
- Tampering alarm
- Built-in microphone and speaker
- One sensor input and alarm output
- DC 12V / AC 24V / PoE
- Micro SD/SDHC Card Slot
- 28 languages on web interface

\* No SD/SDHC card slot & local storage function for Argentina.

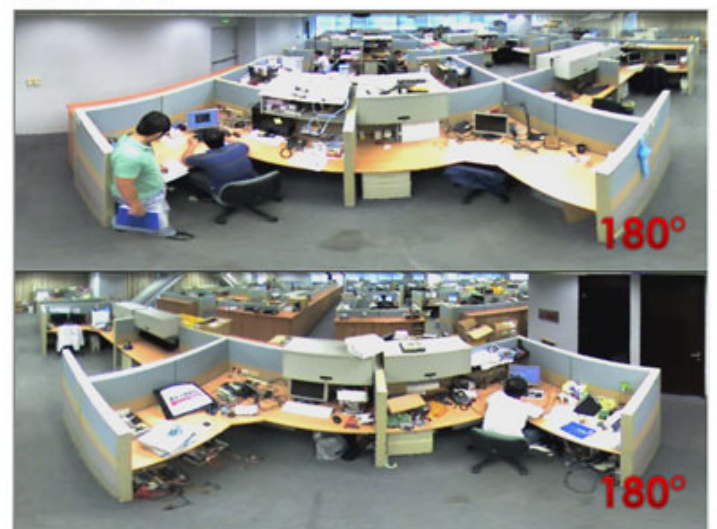
Fisheye Source Image



Single View



2 x 180° View

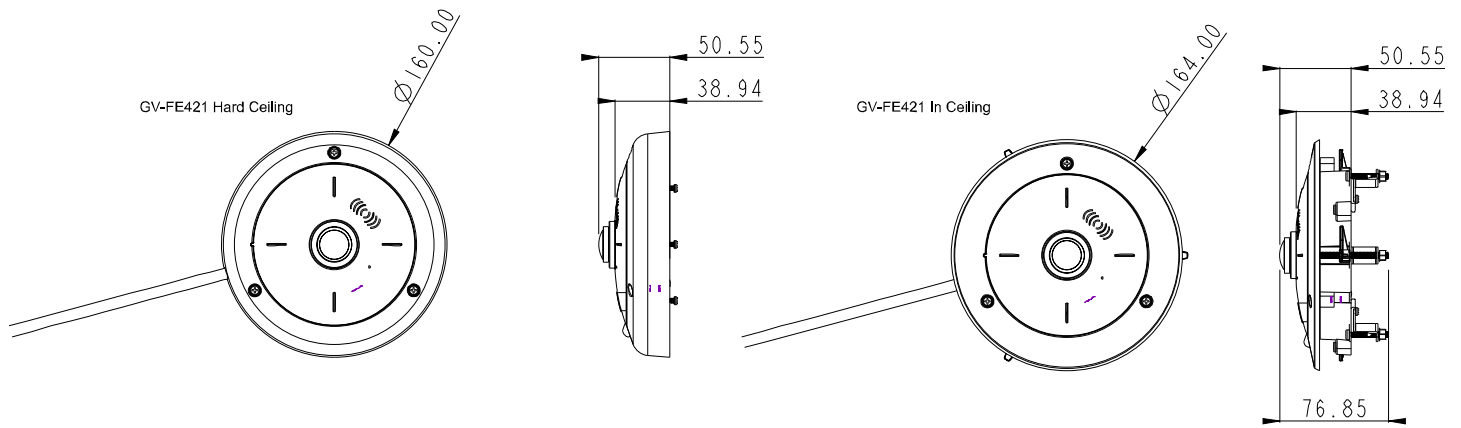


360° View



Quad View



**SPECIFICATIONS**

**System Requirements**

OS	32-bit	Windows XP / Vista / 7 / Server 2008 * 32-bit operation system is only supported in GV-System V8.5.0.0 or later
	64-bit	Windows 7 / Server 2008
GV-System Version	GV-System V8.4.0.0 with patch files or later	
Browser	Internet Explorer 7.x or later	

**Camera**

Image Sensor	1/2.5" progressive scan CMOS	
Picture Elements	2048 (H) x 1944 (V)	
Minimum Illumination	Color	4 Lux (1/30 sec), 2 Lux (1/5 sec)
	B/W	
Shutter Speed	Automatic, Manual (1/5 - 1/8000 sec)	
White Balance	Automatic, Manual (2800K~8500K)	
Gain Control	Automatic	
S/N Ratio	45 dB	

**Optics Lens**

Megapixel	Yes	
Day/Night	Yes (electronic)	
Iris	Fixed Iris	
Focal Length	1.05 mm	
Aperture	F/2.8	
Mount	M12, Pitch 0.5 mm	
Image Format	1/2"	
Angle of View	Diagonal	180°
	Horizontal	180°
	Vertical	180°
Operation	Focus	None
	Zoom	None
	Iris	Fixed

**Operation**

Video Compression	H.264, MJPEG	
Video Streaming	Single stream from H.264 or MJPEG	
Frame Rate	15 fps	
Image Setting	Brightness, Contrast, Sharpness, Gamma, White Balance, Flicker-less, Backlight Compensation, Image Orientation, Shutter Speed, Day / Night	
Audio Compression	G.711, AAC (16 kHz / 16 bit) * AAC is only supported by GV-System V8.5 or later	
Sensor Input	1 Digital Input (Dry Contact)	
Alarm Output	1 Digital Output	

**Network**

Interface	10/100 Ethernet	
Protocol	HTTP, HTTPS, TCP, UDP, SMTP, FTP, DHCP, NTP, UPnP, DynDNS, RTSP, PSIA, SNMP, QoS (DSCP)	

Mechanical		
Lens Mounting	M12, Pitch 0.5 mm / 0.02 in	
Temperature Detector	Yes	
Connectors	Power	Terminal block (3 pin ), PoE
	Ethernet	Ethernet (10/100 Base-T), RJ-45 Connector
	Audio	Built-in microphone and speaker
	Digital I/O	I/O Wire
	Auto Iris	None
	Local Storage	Micro SD/SDHC memory card slot (for Class 6 card or above)
	TV-Out	None
Power	Terminal block (3 pin ), PoE	
General		
Environment Temperature	0 °C ~ 50 °C / 32 °F ~ 122 °F	
Humidity	10% to 90% (no condensation)	
Power Source	12V DC / 24V AC / PoE (IEEE802.3af)	
Max. Power Consumption	5 W	
Dimension	Camera Mount	Hard-Ceiling Mount ø 160 x 47.66 mm / 6.30 x 1.88 in
	Body	In-Ceiling Mount ø 164 x 47.66 mm / 6.46 x 1.88 in
	Cable Length	1 m / 3.28 ft
	Cable Diameter	ø 8 mm / 0.31 in
	Maximum Connector Diameter	ø 28.5 mm / 1.12 in
Weight	650 g / 1.43 lb	
Regulatory	CE, FCC, C-Tick, RoHS compliant	
Power over Ethernet		
PoE Standard	IEEE 802.3af Power over Ethernet / PSE	
PoE Power Supply Type	End-Span	
PoE Power Output	Per Port 48V DC, 350mA. Max. 15.4 watts	
Web Interface		
Installation Management	Web-based configuration	
Maintenance	Firmware upgrade through Web Browser or Utility	
Access from Web Browser	Camera live view, video recording, change video quality, bandwidth control, image snapshot, digital I/O control, audio, Picture in Picture, Picture and Picture, Privacy Mask, Visual Automation, Tampering Alarm, Auto Pan function, virtual PTZ, motion detection, wide angle lens dewarping, text overlay	
Language	Czech / Danish / English / French / German / Hebrew / Hungarian / Italian / Japanese / Polish / Portuguese / Russian / Serbian / Simplified Chinese / Spanish / Traditional Chinese * Bulgarian, Dutch, Greek, Indonesian, Lithuanian, Norwegian, Persian, Romanian, Slovakian, Slovenian, Thai and Turkish are only supported in V1.07 or later.	
Applications		
Network Storage	GV-NVR, GV-System, GV-Backup Center, GV-Recording Server	
Live Viewing	IE, GV-Multi View	
CMS Server Support	GV-Control Center, GV-Center V2, GV-VSM	

**Note:**

1. Specifications are subject to change without notice.