

GV-FE420 4MP H.264 Fisheye IP Camera



* GV-FE420 is excluded from Japan, EU and German market.

Introduction

The GV-FE420 is a fisheye camera that allows you to monitor all angles of a location using just one camera. The distorted hemispherical image of the fisheye camera will be converted into the conventional rectilinear projection.

Without installing any software, you can watch live view and utilize functions such as motion detection, privacy mask, and alert notification through the Web interface using an IE browser. In addition, the GV-FE420 seamlessly integrates with the GV-System, providing advanced monitoring and video management features.

The GV-Fisheye IP Camera is designed to be mounted on the ceiling, wall or ground. There are two ways to mount the GV-FE420 on the ceiling, Hard Ceiling Mount and In-Ceiling Mount. In-Ceiling Mount allows the GV-FE420 to be mounted into the ceiling, revealing a small portion of the camera.

Key Features

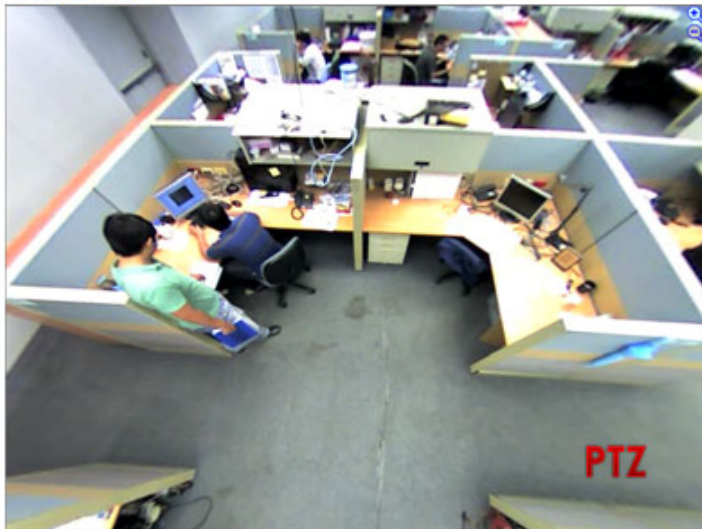
- 4MP progressive scan CMOS
- H.264 and MJPEG
- [Digital Object Tracking](#)
- Electronic Day/Night function
- Provides 360 and 180 degrees panorama view
- No mechanical moving parts
- Built-in Web server for monitoring through IE browser
- Virtual PTZ function
- Auto Pan function
- Different angle of view accessible by multiple users at the same time
- Playback from any view angle and zoom level
- Privacy mask
- Visual automation
- Tampering alarm
- Built-in microphone and speaker
- One sensor input and alarm output
- DC 12V / AC 24V / PoE
- Micro SD/SDHC Card Slot
- 28 languages on web interface

* No SD/SDHC card slot & local storage function for Argentina.

Fisheye Source Image



Single View



2 x 180° View

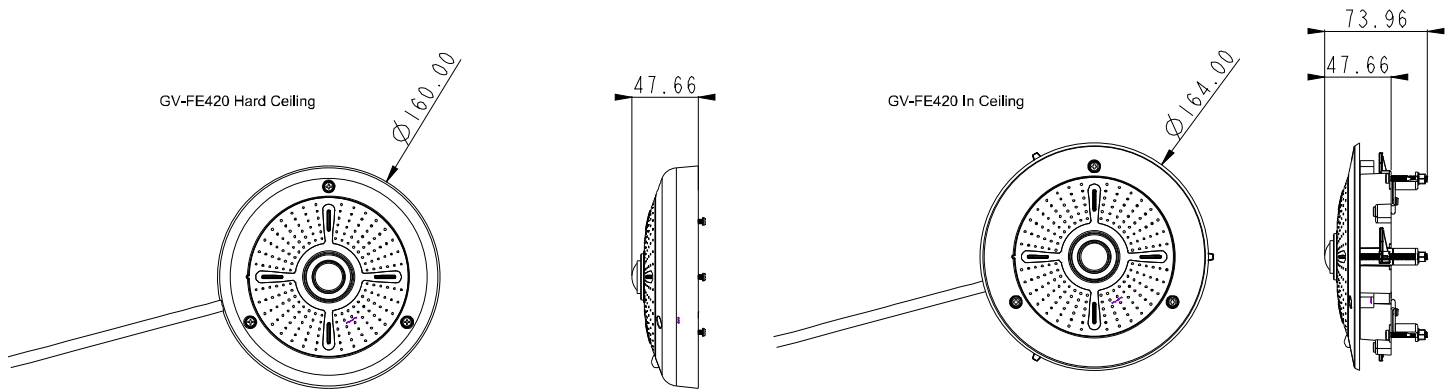


360° View



Quad View



SPECIFICATIONS

System Requirements

| | | |
|-------------------|--|--|
| OS | 32-bit | Windows XP / Vista / 7 / Server 2008 * 32-bit operation system is only supported in GV-System V8.5.0.0 or later |
| | 64-bit | Windows 7 / Server 2008 |
| GV-System Version | GV-System V8.4.0.0 with patch files or later | |
| Browser | Internet Explorer 7.x or later | |

Camera

| | | |
|----------------------|--------------------------------------|-----------------------------------|
| Image Sensor | 1/2.5" progressive scan CMOS | |
| Picture Elements | 2048 (H) x 1944 (V) | |
| Minimum Illumination | Color | 4 Lux (1/30 sec), 2 Lux (1/5 sec) |
| | B/W | |
| Shutter Speed | Automatic, Manual (1/5 - 1/8000 sec) | |
| White Balance | Automatic, Manual (2800K~8500K) | |
| Gain Control | Automatic | |
| S/N Ratio | 45 dB | |

Optics Lens

| | | |
|---------------|-------------------|-------|
| Megapixel | Yes | |
| Day/Night | Yes (electronic) | |
| Iris | Fixed Iris | |
| Focal Length | 1.05 mm | |
| Aperture | F/2.8 | |
| Mount | M12, Pitch 0.5 mm | |
| Image Format | 1/2" | |
| Angle of View | Diagonal | 180° |
| | Horizontal | 180° |
| | Vertical | 180° |
| Operation | Focus | None |
| | Zoom | None |
| | Iris | Fixed |

Operation

| | |
|-------------------|--|
| Video Compression | H.264, MJPEG |
| Video Streaming | Single stream from H.264 or MJPEG |
| Frame Rate | 15 fps |
| Image Setting | Brightness, Contrast, Sharpness, Gamma, White Balance, Flicker-less, Backlight Compensation, Image Orientation, Shutter Speed, Day / Night |
| Audio Compression | G.711, AAC (16 kHz / 16 bit) * AAC is only supported by GV-System V8.5 or later |
| Sensor Input | 1 Digital Input (Dry Contact) |
| Alarm Output | 1 Digital Output |

Network

| | |
|-----------|---|
| Interface | 10/100 Ethernet |
| Protocol | HTTP, HTTPS, TCP, UDP, SMTP, FTP, DHCP, NTP, UPnP, DynDNS, RTSP, PSIA, SNMP, QoS (DSCP) |

| Mechanical | | |
|----------------------|---------------|--|
| Lens Mounting | | M12, Pitch 0.5 mm / 0.02 in |
| Temperature Detector | | Yes |
| Connectors | Power | Terminal block (3 pin), PoE |
| | Ethernet | Ethernet (10/100 Base-T), RJ-45 Connector |
| | Audio | Built-in microphone and speaker |
| | Digital I/O | I/O Wire |
| | Auto Iris | None |
| | Local Storage | Micro SD/SDHC memory card slot (for Class 6 card or above) |
| | TV-Out | None |
| Power | | Terminal block (3 pin), PoE |

| General | | | |
|-------------------------|----------------------------|-------------------------------------|-----------------------------------|
| Environment Temperature | | 0 °C ~ 50 °C / 32 °F ~ 122 °F | |
| Humidity | | 10% to 90% (no condensation) | |
| Power Source | | 12V DC / 24V AC / PoE (IEEE802.3af) | |
| Max. Power Consumption | | 5 W | |
| Dimension | Camera Mount | Hard-Ceiling Mount | ø 160 x 47.66 mm / 6.30 x 1.88 in |
| | | In-Ceiling Mount | ø 164 x 47.66 mm / 6.46 x 1.88 in |
| | Cable Length | | 1 m / 3.28 ft |
| | Cable Diameter | | ø 8 mm / 0.31 in |
| | Maximum Connector Diameter | | ø 28.5 mm / 1.12 in |
| Weight | | 650 g / 1.43 lb | |
| Regulatory | | CE, FCC, C-Tick, RoHS compliant | |

| Power over Ethernet | |
|-----------------------|---|
| PoE Standard | IEEE 802.3af Power over Ethernet / PSE |
| PoE Power Supply Type | End-Span |
| PoE Power Output | Per Port 48V DC, 350mA. Max. 15.4 watts |

| Web Interface | |
|-------------------------|--|
| Installation Management | Web-based configuration |
| Maintenance | Firmware upgrade through Web Browser or Utility |
| Access from Web Browser | Camera live view, video recording, change video quality, bandwidth control, image snapshot, digital I/O control, audio, Picture in Picture, Picture and Picture, Privacy Mask, Visual Automation, Tampering Alarm, Auto Pan function, virtual PTZ, motion detection, wide angle lens dewarping, text overlay |
| Language | Czech / Danish / English / French / German / Hebrew / Hungarian / Italian / Japanese / Polish / Portuguese / Russian / Serbian / Simplified Chinese / Spanish / Traditional Chinese * Bulgarian, Dutch, Greek, Indonesian, Lithuanian, Norwegian, Persian, Romanian, Slovakian, Slovenian, Thai and Turkish are only supported in V1.07 or later. |

| Applications | |
|--------------------|--|
| Network Storage | GV-NVR, GV-System, GV-Backup Center, GV-Recording Server |
| Live Viewing | IE, GV-Multi View |
| CMS Server Support | GV-Control Center, GV-Center V2, GV-VSM |

Note:

1. Specifications are subject to change without notice.