

GV-FE111 1.3MP H.264 Fisheye IP Camera



Introduction

The GV-FE111 is a fisheye camera that allows you to monitor all angles of a location using just one camera. The distorted hemispherical image of the fisheye camera will be converted into the conventional rectilinear projection.

Without installing any software, you can watch live view and utilize functions such as motion detection, privacy mask, and alert notification through the Web interface using an IE browser. In addition, the GV-FE111 seamlessly integrates with the GV-System, providing advanced monitoring and video management features.

The GV-Fisheye IP Camera is designed to be mounted on the ceiling, wall or ground. There are two ways to mount the GV-FE111 on the ceiling, Hard Ceiling Mount and In-Ceiling Mount. In-Ceiling Mount allows the GV-FE111 to be mounted into the ceiling, revealing a small portion of the camera.

Key Features

- 1.3MP progressive scan CMOS
- H.264, MPEG 4 and MJPEG
- [Digital Object Tracking](#)
- Provides 360 and 180 degrees panorama view
- No mechanical moving parts
- Micro SD/SDHC Card Slot
- Virtual PTZ function
- Auto Pan function
- Built-in microphone and speaker
- One sensor input and alarm output
- DC 12V / AC 24V / PoE
- Different angle of view accessible by multiple users at the same time
- Playback from any view angle and zoom level
- Privacy mask
- Visual automation
- Tampering alarm
- 28 languages on web interface

* No SD/SDHC card slot & local storage function for Argentina.

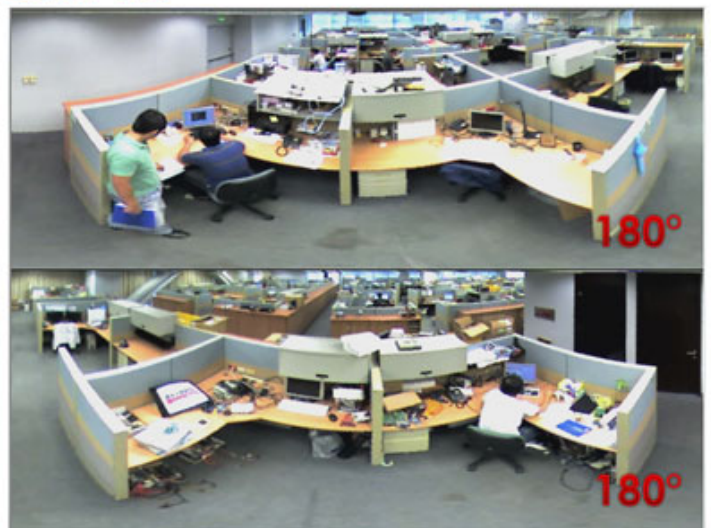
Fisheye Source Image



Single View



2 x 180° View

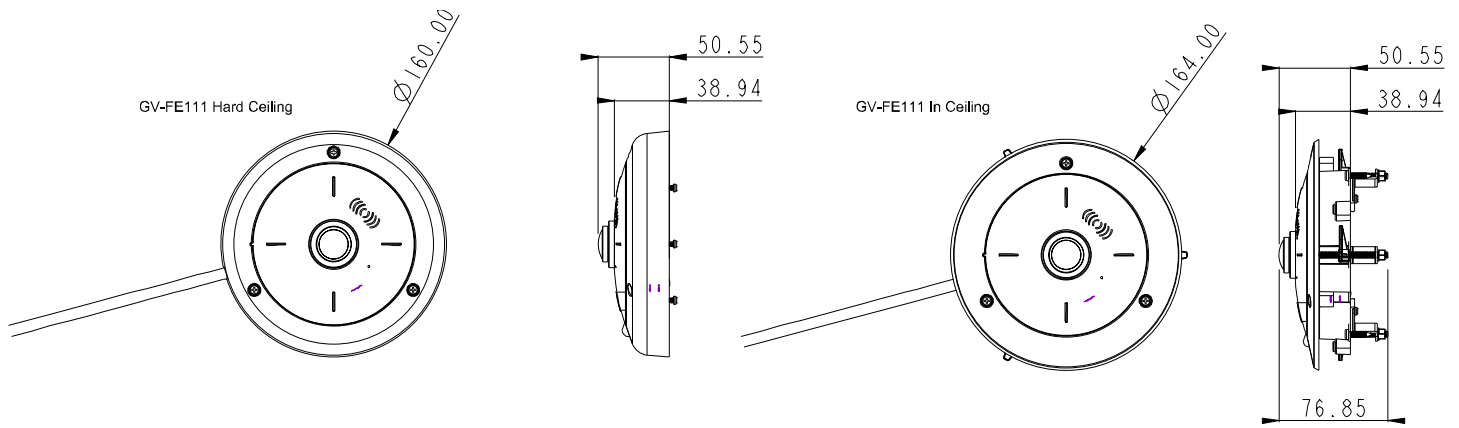


360° View



Quad View



SPECIFICATIONS

System Requirements

OS	32-bit	Windows XP / Vista / 7 / Server 2008
	64-bit	Windows 7 / Server 2008
GV-System Version	GV-System V8.4.0.0 with patch files or later	
Browser	Internet Explorer 7.x or later	

Camera

Image Sensor	1/3" progressive scan CMOS	
Picture Elements	1280 (H) x 1024 (V)	
Minimum Illumination	Color	1.5 Lux (1/60 sec), 0.1 Lux (1/5 sec), (F/2.0, AGC-ON, slow shutter-Off.)
Shutter Speed	1/5 ~ 1/4000 sec, Auto (Balanced, Speed Priority, Quality Priority)	
White Balance	Automatic, Manual (2800K~8500K)	

Optics Lens

Megapixel	Yes	
Day/Night	Yes (electronic)	
Iris	Fixed Iris	
Focal Length	1.25 mm	
Aperture	F/2.0	
Mount	M12, Pitch 0.5 mm	
Image Format	1/3"	
Angle of View	Diagonal	185°
	Horizontal	185°
	Vertical	185°
Operation	Focus	None
	Zoom	None
	Iris	Fixed

Operation

Video Compression	H.264, MPEG4, MJPEG
Video Resolution	1280 x 1024
Frame Rate	15 fps
Image Setting	Brightness, Contrast, Sharpness, Saturation, Gamma, White Balance, Flicker-less, Image Orientation, Shutter Speed
Audio Compression	G.711
Sensor Input	1 Input (Dry Contact)
Alarm Output	1 output

Network

Interface	10/100 Ethernet
Protocol	HTTP, HTTPS (available in next version), TCP, UDP, SMTP, FTP, DHCP, NTP, UPnP, DynDNS, RTSP, PSIA, SNMP (available in next version)

Mechanical

Lens Mounting	M12, Pitch 0.5 mm / 0.02 in
Temperature Detector	Yes

Connectors	Power	Terminal block (3 pin), PoE	
	Ethernet	Ethernet (10/100 Base-T), RJ-45 Connector	
	Audio	Built-in microphone and speaker	
	Digital I/O	I/O Wire	
	Auto Iris	None	
	Local Storage	Micro SD/SDHC memory card slot (for Class 6 card or above)	
	TV-Out	None	
General			
Environment Temperature	0 °C ~ 50 °C / 32 °F ~ 122 °F		
Humidity	10% to 90% (no condensation)		
Power Source	12V DC / 24V AC / PoE (IEEE802.3af)		
Max. Power Consumption	9 W		
Dimensions	Camera Body	Hard-Ceiling Mount	ø 160 x 47.66 mm / 6.30 x 1.88 in
		In-Ceiling Mount	ø 164 x 47.66 mm / 6.46 x 1.88 in
	Cable Length	1 m / 3.28 ft	
	Cable Diameter	ø 8 mm / 0.31 in	
	Maximum Connector Diameter	ø 28.5 mm / 1.12 in	
Weight	650 g / 1.43 lb		
Regulatory	CE, FCC, C-Tick, RoHS compliant		
Power over Ethernet			
PoE Standard	IEEE 802.3af Power over Ethernet / PSE		
PoE Power Supply Type	End-Span		
PoE Power Output	Per Port 48V DC, 350mA. Max. 15.4 watts		
Web Interface			
Installation Management	Web-based configuration		
Maintenance	Firmware upgrade through Web Browser or Utility		
Access from Web Browser	Camera live view, video recording, change video quality, bandwidth control, image snapshot, digital I/O control, audio, Picture in Picture, Picture and Picture, Privacy Mask, Visual Automation, Tampering Alarm, Auto Pan function, virtual PTZ		
Language	Czech / Danish / English / French / German / Hebrew / Hungarian / Italian / Japanese / Polish / Portuguese / Russian / Serbian / Simplified Chinese / Spanish / Traditional Chinese * Bulgarian, Dutch, Greek, Indonesian, Lithuanian, Norwegian, Persian, Romanian, Slovakian, Slovenian, Thai and Turkish are only supported in V1.08 or later.		
Applications			
Network Storage	GV-NVR, GV-System		
Live Viewing	IE		
CMS Server Support	GV-Control Center, GV-Center V2, GV-VSM		

Note:

1. Wall mount and ground mount are only supported in firmware V1.08 or later.
2. Specifications are subject to change without notice.