

## GV-CB220 2MP H.264 Cube IP Camera



- 1/2.5" Progressive Scan CMOS
  - Stream 1 from H.264 and MJPEG;  
Stream 2 from H.264, MPEG4 and MJPEG
  - Up to 30 fps at 1920 x 1080
  - Built-in speaker and microphone
  - Micro SD/SDHC Card Slot
  - G.711 and AAC audio codec
  - Motion detection
  - Tampering alarm
  - Privacy mask
  - IP address filtering
  - Megapixel lens
  - Supports iPhone, iPad, Android & 3GPP
  - 28 languages on Web interface
- \* No SD/SDHC card slot & local storage function for Argentina.

### Active Tampering Alarm

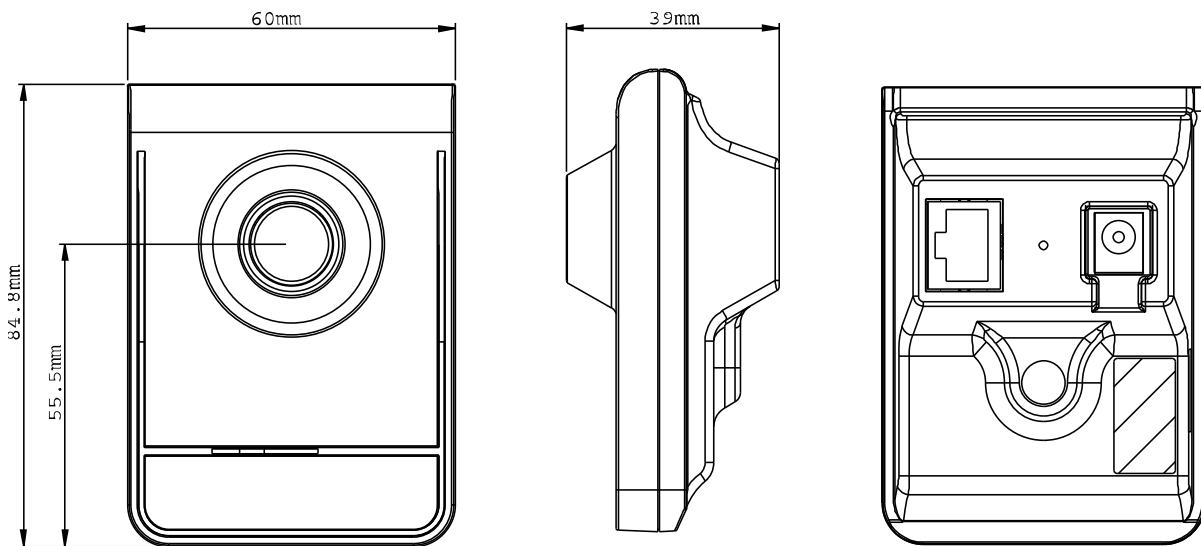
Tampered



Focus Change



Camera Shift



### SPECIFICATIONS

Camera		
Image Sensor		1/2.5" progressive scan CMOS
Picture Elements		1920 (H) x 1080 (V)
Minimum Illumination	Color	1 Lux (1/30 sec), 0.5 Lux (1/5 sec)
Shutter Speed		Automatic, Manual (1/5 ~ 1/8000 sec)
White Balance		Automatic, Manual (2800K ~ 8500K)
Lens		
Megapixel		Yes
Day/Night		Yes (electronic )
Lens Type		Fixed
Focal Length		3.35 mm
Max Aperture		F/2.4
Image Format		1/3"

Field of view	Diagonal	142°
	Horizontal	131°
	Vertical	112°
Operation	Focus	No
	Zoom	No
	Iris	Fixed

#### Operation

Video Compression	H.264, MPEG4, MJPEG
Video Stream	Stream 1 from H.264 and MJPEG Stream 2 from H.264, MPEG4 and MJPEG
Frame Rate	30 fps at 1920 x 1080 * The frame rate and the performance may vary depending on the number of connections and data bitrates (different scenes).
Image Setting	Brightness, Contrast, Saturation, Sharpness, Gamma, White Balance, Flicker-less, Image Orientation, Shutter Speed, Backlight Compensation
Audio Compression	G.711, AAC (16 kHz / 16 bit) * AAC is only supported by GV-System V8.5 or later

#### Video Resolution

Main Stream	4:3	1600 x 1200, 1280 x 960, 640 x 480, 320 x 240
	16:9	1920 x 1080, 1280 x 720, 640 x 360, 448 x 252
	5:4	1280 x 1024, 640 x 512, 320 x 256
Sub Stream	4:3	640 x 480, 320 x 240
	16:9	640 x 360, 448 x 252
	5:4	640 x 512, 320 x 256

#### Network

Interface	10/100 Ethernet
Ethernet Protocol	HTTP, HTTPS, TCP, UDP, SMTP, FTP, DHCP, NTP, UPnP, DynDNS, 3GPP/ISMA, RTSP, PSIA, SNMP, QoS (DSCP)

#### Mechanical

Lens Mounting	M12 mm	
Temperature Detector	Yes	
Connectors	Power	DC Jack
	Ethernet	Ethernet (10/100 Base-T), RJ-45
	Audio	Built-in speaker & microphone
	Local Storage	Micro SD/SDHC memory card slot (for Class 6 card or above)
LED Indicator	2 LEDs: Status, LAN	

#### General

Operating Temperature	0 °C ~ 50 °C / 32 °F ~ 122 °F
Humidity	10% to 90% (no condensation)
Power Source	5V / 12V DC
Max. Power Consumption	4 W
Dimensions	60 x 84.8 x 39 mm / 2.36 x 3.34 x 1.54 in
Weight	80 g / 0.18 lb
Regulatory	CE, FCC, C-Tick, RoHS compliant

#### Web Interface

Installation Management	Web-based configuration
Maintenance	Firmware upgrade through Web Browser or Utility
Access from Web Browser	Camera live view, video recording, change video quality, bandwidth control, image snapshot, audio, Wide Angle Lens Dewarping, Picture in Picture, Picture and Picture, Privacy Mask, Tampering Alarm, Text Overlay
Language	Czech / Danish / English / French / German / Hebrew / Hungarian / Italian / Japanese / Polish / Portuguese / Russian / Serbian / Simplified Chinese / Spanish / Traditional Chinese * Bulgarian, Dutch, Greek, Indonesian, Lithuanian, Norwegian, Persian, Romanian, Slovakian, Slovenian, Thai and Turkish are only supported in V1.07 or later.

#### Applications

Network Storage	GV-NVR, GV-System, GV-Backup Center, GV-Recording Server
Mobile Phone support	GV-AView for Android Smartphone, GV-Eye HD for iPad, GV-Eye for iPhone and iPod Touch, GV-GView for Windows PDA, GV-MSView for Windows Smartphone, GV-SSView for Symbian Smartphone, 3G-enabled phone.
Live Viewing	IE, GV-MultiView
CMS Server support	GV-Control Center, GV-Center V2, GV-VSM

**Note:** Specifications are subject to change without notice.