

## GV-BX520D 5MP H.264 D/N Box IP Camera



- 5 megapixel progressive scan CMOS
  - Stream 1 from H.264 and MJPEG;  
Stream 2 from H.264, MPEG4 and MJPEG
  - Up to 10 fps at 2560 x 1920
  - Built-in / external microphone
  - 2-way audio
  - One sensor input and alarm output
  - TV-out support
  - Micro SD/SDHC Card Slot
  - Motion detection
  - Tampering alarm
  - Privacy mask
  - IP address filtering
  - DC 12V / PoE
  - Removable IR-cut filter for Day/Night function
  - Varifocal megapixel lens
  - Supports iPhone, iPad, Android & 3GPP
  - 16 languages on Web interface
- \* No SD/SDHC card slot & local storage function for Argentina.

### Active Tampering Alarm

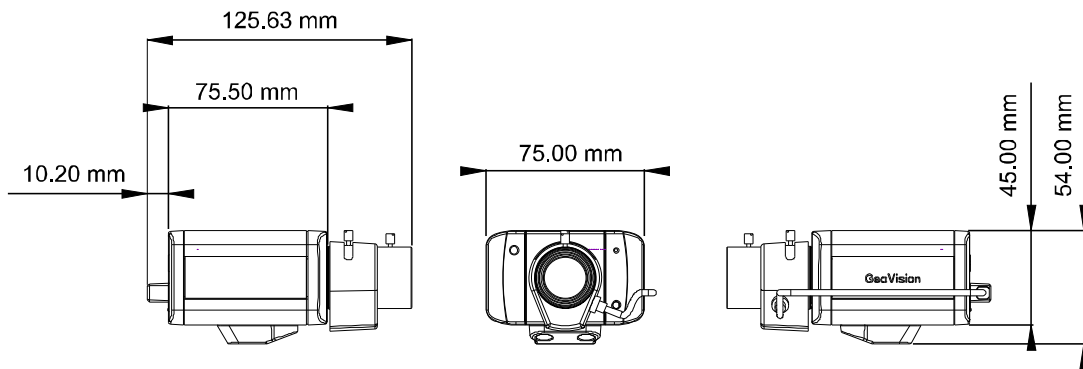
Tampered



Focus Change



Camera Shift



### SPECIFICATIONS

Camera		
Image Sensor	1/2.5" progressive scan CMOS	
Picture Elements	2560 (H) x 1920 (V)	
Minimum Illumination	Color	0.5 Lux at F/1.6
	B/W	0.1 Lux at F/1.6
	IR ON	0 Lux
Shutter Speed	Automatic, Manual (1/5 ~ 1/8000 sec)	
White Balance	Automatic, Manual (2800K ~ 8500K)	
Lens		
Megapixel	Yes	
Day/Night	Yes (with removable IR-cut filter)	
Lens Type	Varifocal	
Focal Length	4.5 ~ 10 mm	
Maximum Aperture	F / 1.6	
Mount	CS Mount	
Image Format	1/2"	

Angle of view	Diagonal	102° ~ 47°
	Horizontal	80.5° ~ 37.12°
	Vertical	60° ~ 28°
Operation	Focus	Manual (w / lock)
	Zoom	Manual (w / lock)
	Iris	Manual

#### Operation

Video Compression	H.264, MPEG4, MJPEG
Video Stream	Streaming 1 from H.264 and MJPEG Streaming 2 from H.264, MPEG4 and MJPEG
Frame Rate	10 fps at 2560 x 1920 * The frame rate and the performance may vary depending on the number of connections and data bitrates (different scenes).
Image Setting	Brightness, Contrast, Sharpness, Gamma, White Balance, Flicker-less, Image Orientation, Shutter Speed, D/N Sensitivity, Backlight Compensation
Audio Compression	G.711, AAC (16 kHz / 16 bit) * AAC is only supported by GV-System V8.5 or later
Sensor Input	1 Input (Dry Contact)
Alarm Output	1 Digital Output

#### Video Resolution

Main Stream	4:3	2560 x 1920, 2048 x 1536, 1600 x 1200, 1280 x 960, 640 x 480, 320 x 240
	16:9	1920 x 1080, 1280 x 720, 640 x 360, 448 x 252
	5:4	1280 x 1024, 640 x 512, 320 x 256
Sub Stream	4:3	640 x 480, 320 x 240
	16:9	640 x 360, 448 x 252
	5:4	640 x 512, 320 x 256

#### Network

Interface	10/100 Ethernet
Ethernet Protocol	HTTP, HTTPS, TCP, UDP, SMTP, FTP, DHCP, NTP, UPnP, DynDNS, 3GPP/ISMA, RTSP, PSIA, SNMP, QoS (DSCP)

#### Mechanical

Lens Mounting	CS-Mount	
Connectors	Power	2-pin terminal block, PoE
	Ethernet	RJ-45
	Audio	1 In (Using the built-in microphone or externally connecting a microphone) 1 Out (Stereo phone jack, 3.5 mm / 0.14 in)
	Digital I/O	3-pin terminal block, pitch 2.5 mm / 0.1 in
	Auto Iris	DC drive (not workable for GV-BX520D with manual iris lens)
	Local Storage	Micro SD/SDHC memory card slot (for Class 6 card or above)
	TV-Out	BNC connector (640 x 480 resolution)
LED Indicator	2 LEDs: Power, Status	

#### General

Environment Temperature	0 °C ~ 50 °C / 32 °F ~ 122 °F
Humidity	10% to 90% (no condensation)
Power Source	12V DC / PoE
Max. Power Consumption	7 W
Regulatory	CE, FCC, C-Tick, RoHS compliant
Dimension (L X W X H)	75.5 x 75 x 54 mm / 3.05 x 2.95 x 2.13 in (without lens)
Weight	321 g / 0.71 lb

#### Power over Ethernet

PoE Standard	IEEE 802.3af Power over Ethernet / PSE
PoE Power Supply Type	End-Span
PoE Power Output	Per Port 48V DC, 350mA. Max. 15.4 watts

#### Web Interface

Installation Management	Web-based configuration
Maintenance	Firmware upgrade through Web Browser or Utility
Access from Web Browser	Camera live view, video recording, change video quality, bandwidth control, image snapshot, digital I/O control, audio, Picture in Picture, Wide Angle Lens Dewarping, Picture and Picture, Privacy Mask, Visual Automation, Tampering Alarm, Text Overlay
Language	Czech / Danish / English / French / German / Hebrew / Hungarian / Italian / Japanese / Polish / Portuguese / Russian / Serbian / Simplified Chinese / Spanish / Traditional Chinese

**Applications**

Network Storage	GV-NVR, GV-System, GV-Backup Center, GV-Recording Server
Mobile Phone support	GV-AView for Android Smartphone, GV-Eye HD for iPad, GV-Eye for iPhone and iPod Touch, GV-GView for Windows PDA, GV-MSView for Windows Smartphone, GV-SSView for Symbian Smartphone, 3G-enabled phone.
Live Viewing	IE , GV-MultiView
CMS Server support	GV-Control Center, GV-Center V2, GV-VSM

**Note:** Specifications are subject to change without notice.