

GV-EBD4704 4MP H.265 Super Low Lux WDR Pro IR Eyeball Dome IP Camera



- 1/3" progressive scan super low lux CMOS sensor
- Dual streams from H.265, H.264 or MJPEG
- Min. illumination at 0.003 lux
- Up to 30 fps at 2688 x 1520
- Intelligent IR
- Day and night function (with removable IR-cut filter)
- Wide Dynamic Range Pro (WDR Pro)
- IR distance up to 30 m (100 ft)
- Built-in microphone
- Built-in micro SD card slot (SD / SDHC / SDXC / UHS-I) for local storage
- 3-axis mechanism (pan / tilt / rotate)
- Ingress protection (IP67)
- DC 12V / PoE (IEEE 802.3af)
- Defog
- 3D noise reduction
- Motion detection
- Tampering alarm
- Text overlay
- Privacy mask
- 12 languages supported
- ONVIF (Profile G, S, T) conformant

Introduction

GV-EBD4704 is an outdoor, network camera equipped with an automatic IR-cut filter and an IR LED for day and night surveillance. The camera adheres to IP67 standards. The camera supports H.265 video codec to achieve better compression ratio while maintaining high quality pictures at reduced network bandwidths. With its WDR Pro, it can process scenes with contrasting intensity of lights and produce clear image.

Active Tampering Alarm

Tampered



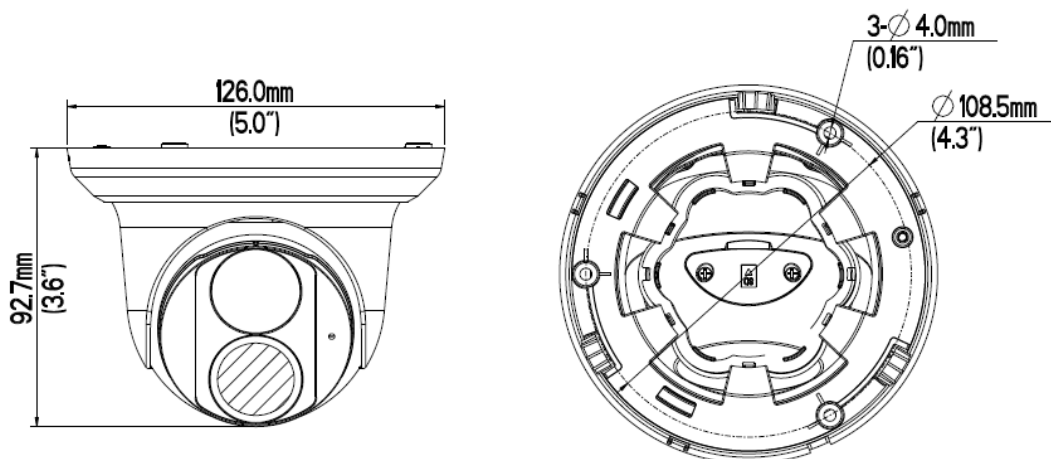
Focus Change



Camera Shift



Dimensions



Specifications

| Camera | | |
|-------------------------|---------------|--|
| Image Sensor | | 1/3" progressive scan super low lux CMOS |
| Picture Elements | | 2688 (H) x 1520 (V) |
| Minimum Illumination | Color | 0.003 Lux (F1.6, AGC ON) |
| | IR ON | 0 Lux |
| Shutter Speed | | Auto / Manual (1 ~ 1/100000s) |
| White Balance | | Auto / Manual |
| Gain Control | | Auto / Manual |
| S/N Ratio | | 56 dB |
| WDR Pro | | Yes |
| Dynamic Range | | 120 dB |
| Optical Lens | | |
| Megapixel | | Yes |
| Day / Night | | Yes (with removable IR-cut filter) |
| Lens Type | | Fixed |
| Focal Length | | 2.8 mm |
| Maximum Aperture | | F/1.6 |
| Mount | | M12 |
| Horizontal FOV | | 101° |
| Operation | Focus | Fixed |
| | Zoom | Fixed |
| | Iris | Fixed |
| IR LED Quantity | | 1 IR LED |
| Max. IR Distance | | 30 m (100 ft) |
| Operation | | |
| Video Compression | | H.265, H.264, MJPEG |
| Video Streaming | | Dual streams from H.265, H.264 or MJPEG |
| Frame Rate | | 30 fps at 2688 x 1520, 30 fps at 2560 x 1440, 30 fps at 2304 x 1296 (60 / 50 Hz) *The frame rate and performance may vary depending on the number of connections and data bitrates (different scenes). |
| Video Analytics | | Motion Detection, Tampering Alarm, Audio Detection, Cross Line, Intrusion *Tampering Alarm, Audio Detection, Cross Line, Intrusion are only accessible through the camera's Web interface, which can be used to trigger alerts such as e-mail and FTP |
| Image Setting | | Brightness, Contrast, Saturation, Sharpness, Flicker-less, Image Orientation (Flip, Mirror, 0°, 90°, 180°, 270°-including Corridor format) |
| Audio Compression | | G.711 |
| Audio Support | | One-way Audio |
| Video Resolution | | |
| Main Stream | | 2688 x 1520 (Default), 2560 x 1440, 2304 x 1296, 1920 x 1080, 1280 x 720 |
| Sub Stream | | 1280 x 720, 720 x 576, 704 x 288, 640 x 480, 640 x 360 (Default), 352 x 288 |
| Network | | |
| Interface | | 10/100 Ethernet |
| Protocol | | 802.1x, ARP, DHCP, DDNS, DNS, DynDNS, FTP, HTTP, HTTPS, ICMP, IGMP, IPv4, NTP, PPPoE, QoS, RTCP, RTP, RTSP, SMTP, SNMP, TCP, UDP, UPnP, ONVIF (Profile G, S, T) |
| Mechanical | | |
| Camera Angle Adjustment | Pan | 0° ~ 360° |
| | Tilt | 0° ~ 90° |
| | Rotate | 0° ~ 360° |
| Connectors | Power | DC Jack (DC 12V, 1.25A), PoE |
| | Ethernet | RJ-45 |
| | Audio | 1 In (built-in microphone) |
| | Local Storage | Micro SD card slot (SD/SDHC/SDXC/UHS-I, Class 10) *UHS-II card type is not supported. |
| General | | |
| Environment | Start-up | -30°C ~ 60°C (-22°F ~ 140°F) |

| | | |
|-------------------------|-----------|---|
| Temperature | Operation | |
| Humidity | | 0% ~ 95% (no condensation) |
| Power Source | | 12V DC / PoE (IEEE 802.3af) |
| Max. Power Consumption | | 6 W |
| Dimensions | | Ø 126 x 92.7 mm (Ø 5.0" x 3.6") |
| Weight | | 0.45 kg (0.99 lb) |
| Ingress Protection | | IP67 |
| Regulatory | | CE, FCC, RoHS |
| Web Interface | | |
| Installation Management | | Web-based configuration |
| Maintenance | | Firmware upgrade through Web Browser or GV-IP Device Utility |
| Access from Web Browser | | Live View, Video Recording, Change Video Quality, Bandwidth Control, Image Snapshot, Defog, Text Overlay, Image Masking |
| Language | | Czech, English, French, German, Hungarian, Italian, Japanese, Polish, Portuguese, Russian, Spanish, Traditional Chinese |
| Applications | | |
| Software Supported | | GV-VMS (V17.4.1 / V18.2.1), GV-DVR / NVR (V8.9.1), GV-Control Center (V3.8.0), GV-Recording Server / Video Gateway (V2.0.0), GV-Edge Recording Manager Win version (V2.0.0), GV-Redundant / Failover Server (V1.2.0), GV-Mobile Server (V1.5.0.0) |
| Live Viewing | | Browser (IE, Edge, Chrome, Firefox, Safari), Mobile App |

Note:





1. It is required to apply patch files to some of the supported software.
2. Do not use clothes or any ordinary material to clean the camera cover since they may result in scratches.
3. Specifications are subject to change without notice.

Packing List

- | | |
|----------------------------|--------------------------|
| 1. GV-EBD4704 Eyeball Dome | 4. Drill Template Paster |
| 2. Waterproof Rubber Set | 5. Download Guide |
| 3. Screw kit | 6. Warranty Card |

Accessories

| Model No. | Name | | Details |
|--|-----------------------------|--|---|
| GV-Mount107 (must be used with GV-Mount212P) | Pendant Bracket |  | Dimensions: Ø 120 x 334 mm (Ø 4.72" x 13.15") Weight: 0.74 kg (1.63 lb) |
| GV-Mount211P | Wall Mount and Junction Box |  | Dimensions: Ø 233 x 126 x 126 mm (Ø 9.2" x 5" x 5") Weight: 1 kg (2.2 lb) |
| GV-Mount212P | Wall Box Mount |  | Dimensions: Ø 126 x 36 mm (Ø 5.0" x 1.4") Weight: 0.22 kg (0.48 lb) |
| GV-Mount300-2 | Convex Corner Mount |  | Dimensions: 137 x 233 x 160 mm (5.4" x 9.17" x 6.3") Weight: 1.65 kg (3.64 lb) |

| | | | |
|---|-----------------------------------|--|---|
| GV-Mount310-2 | Concave Corner Mount |  | <p>Dimensions: 111.2 x 369.9 x 210 mm (2.6" x 11.4" x 6.6") Weight: 1.65 kg (3.64 lb)</p> |
| <p>GV-Mount420 (must be used with GV-Mount211P)</p> | Pole Mount Bracket |  | <p>Dimensions: \varnothing 120 x 120 x 53.4 mm (\varnothing 4.7" x 4.7" x 2.1") Weight: 0.45 kg (0.99 lb) Steel Strap Diameter: \varnothing 67 ~ 127 mm (\varnothing 2.6" ~ 5")</p> |
| <p>GV-Mount704 (must be used with GV-Mount107)</p> | Extension Tube |  | <p>Dimensions: \varnothing 3.5 x 10 or 20 or 30 or 50 cm (\varnothing 1.38 x 3.9 or 7.9 or 11.8 or 19.7") Weight: 225 g or 360 g or 500 g or 780 g (0.5 lb or 0.79 lb or 1.1 lb or 1.72 lb)</p> |
| GV-PA191 | Power over Ethernet (PoE) Adapter |  | <p>GV-PA191 is a Power over Ethernet (PoE) adapter designed to provide power to the IP device through a single Ethernet cable.</p> |
| GV-PoE Switch | | <p>GV-PoE Switch is designed to provide power along with network connection for IP devices. GV-PoE Switch is available in various models with different numbers and types of ports</p> | |
| Power Adapter | | <p>Contact our sales representatives for the countries and areas supported.</p> | |