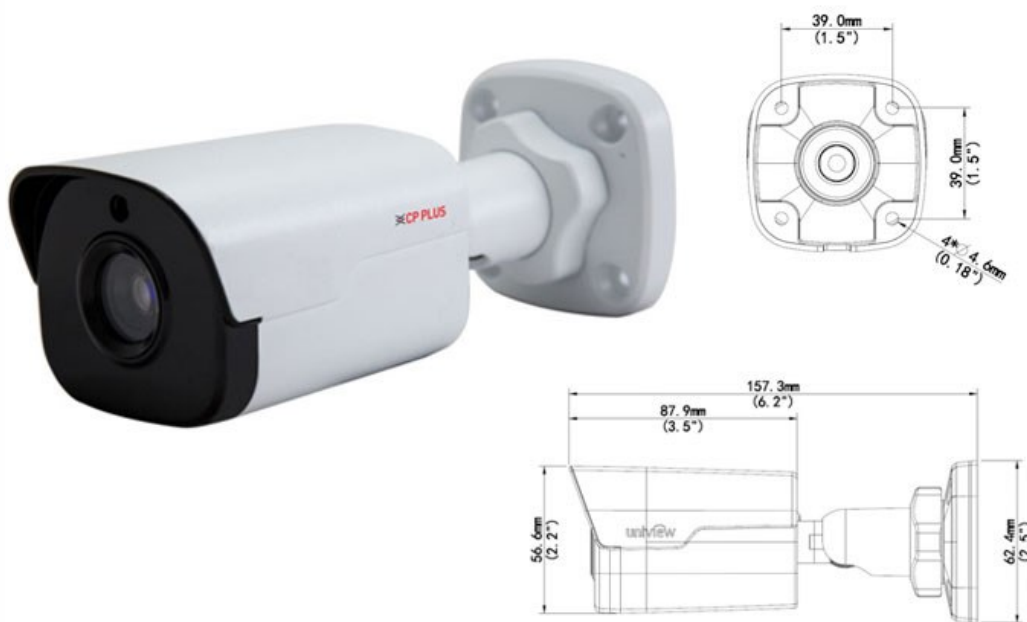


**CP- VNC-T40R3-MD****4 MP WDR IR Array Bullet Camera - 30Mtr.****INDIGO****Main Features**

- 1/3" 4MP PS CMOS Image Sensor
- Max 20fps@4MP
- H.264 and MJPEG Triple-stream Encoding
- WDR, Day/Night(ICR), 2D/3D-DNR, AWB, AGC, BLC
- 3.6mm fixed lens
- IR Range of 30 Mtrs, Micro SD, IP66, PoE
- Mobile Software for Android, iOS
- CMS Software: IVMS



**CP- VNC-T40R3-MD****4 MP WDR IR Array Bullet Camera - 30Mtr.****Feature**

Image Sensor  
Minimum Illumination  
Shutter Speed  
White Balance  
Gain Control(AGC)  
Lens  
S/N Ratio  
Video Compression  
Video Streaming  
Resolution  
Frame Rate  
Motion detection  
Privacy Mask  
ICR  
WDR  
Protocol  
Ethernet  
OSD  
IR  
Operating Temperature  
Humidity  
Power Source  
Power Consumption  
Weatherproof Standard  
Dimension  
Weight

**Specification**

1/3" 4MP Progressive scan CMOS  
Colour: 0.06 Lux (F1.4, 50IRE), 0 Lux with IR on  
Auto/Manual, 1/6~1/8000 s  
Auto/Manual  
Auto/Manual  
3.6 mm  
>52dB  
H.264/MJPEG  
Triple  
4MP @ 20fps  
4MP(2688×1520) @20fps , 1080P(1920×1080)/D1720×576) @ 25 fps  
Up to 2 areas  
Up to 4 areas  
IR-cut filter with auto switch (ICR)  
Digital  
IPv4,IGMP,ICMP,ARP,TCP,UDP,DHCP,RTP,RTSP,Qos,DNS,DDNS,NTP,FTP,UPnP,HTTP, Onvif  
1 RJ45 10M/100M Base-TX Ethernet  
Up to 8 OSDs  
IR Range of 30 Mtr.  
-35°C ~ +60°C (-31°F ~ 140°F)  
≤ 90% RH(non-condensing)  
12 V DC, or PoE (IEEE802.3 af)  
2.0 W (6.4 W with IR on)  
IP66  
157.3 × 62.4 × 63 mm (6.2" × 2.5" × 2.5")  
0.45 kg