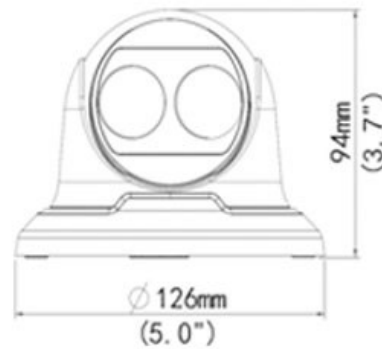
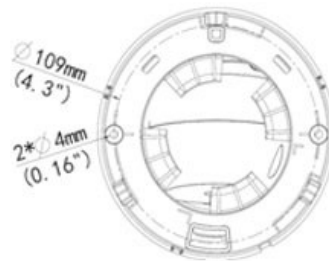


CP- VNC-D40R3-D**4 MP WDR IR Array Dome Camera - 30Mtr.****Main Features**

- 1/3" 4MP PS CMOS Image Sensor
- Max 20fps@4MP
- H.264 and MJPEG Triple-stream Encoding
- WDR, Day/Night(ICR), 2D/3D-DNR, AWB, AGC, BLC
- 3.6mm fixed lens
- IR Range of 30 Mtrs, IP66, PoE
- Mobile Software for Android, iOS
- CMS Software: IVMS



CP- VNC-D40R3-D

4 MP WDR IR Array Dome Camera - 30Mtr.



Feature

Image Sensor
 Minimum Illumination
 Shutter Speed
 White Balance
 Lens
 Gain Control(AGC)
 Video Compression
 S/N Ratio
 Video Streaming
 Resolution
 Frame Rate
 Motion detection
 Privacy Mask
 ICR
 WDR
 Protocol
 Ethernet
 OSD
 IR
 Operating Temperature
 Humidity
 Power Source
 Power Consumption
 Weatherproof Standard
 Dimension
 Weight

Specification

1/3" 4MP Progressive scan CMOS
 Colour: 0.02 Lux (F1.8, AGC ON), 0 Lux with IR
 Auto/Manual, 1/6~1/8000 s
 Auto/Manual
 3.6 mm
 Auto/Manual
 H.264/MJPEG
 >52dB
 Triple
 4MP @ 20fps
 4MP (2592×1520): Max. 20 fps; 4MP (2560×1440): Max. 25 fps, 3MP (2048×1520): Max. 30 fps; 1080P (1920×1080): Max. 30 fps
 Up to 2 areas
 Up to 4 areas
 IR-cut filter with auto switch (ICR)
 120 dB
 IPv4,IGMP,ICMP,ARP,TCP,UDP,DHCP,RTP,RTSP,Qos,DNS,DDNS,NTP,FTP,UPnP,HTTP, Onvif
 1 RJ45 10M/100M Base-TX Ethernet
 Up to 8 OSDs
 IR Range of 30 Mtr.
 -35°C ~ +60°C (-31°F ~ 140°F)
 ≤ 90% RH(non-condensing)
 12 V DC, or PoE (IEEE802.3 af)
 3.5 W (5.5W with IR on)
 IP66
 Ø126 x 94 mm (Ø5.0" x 3.7")
 0.33 kg